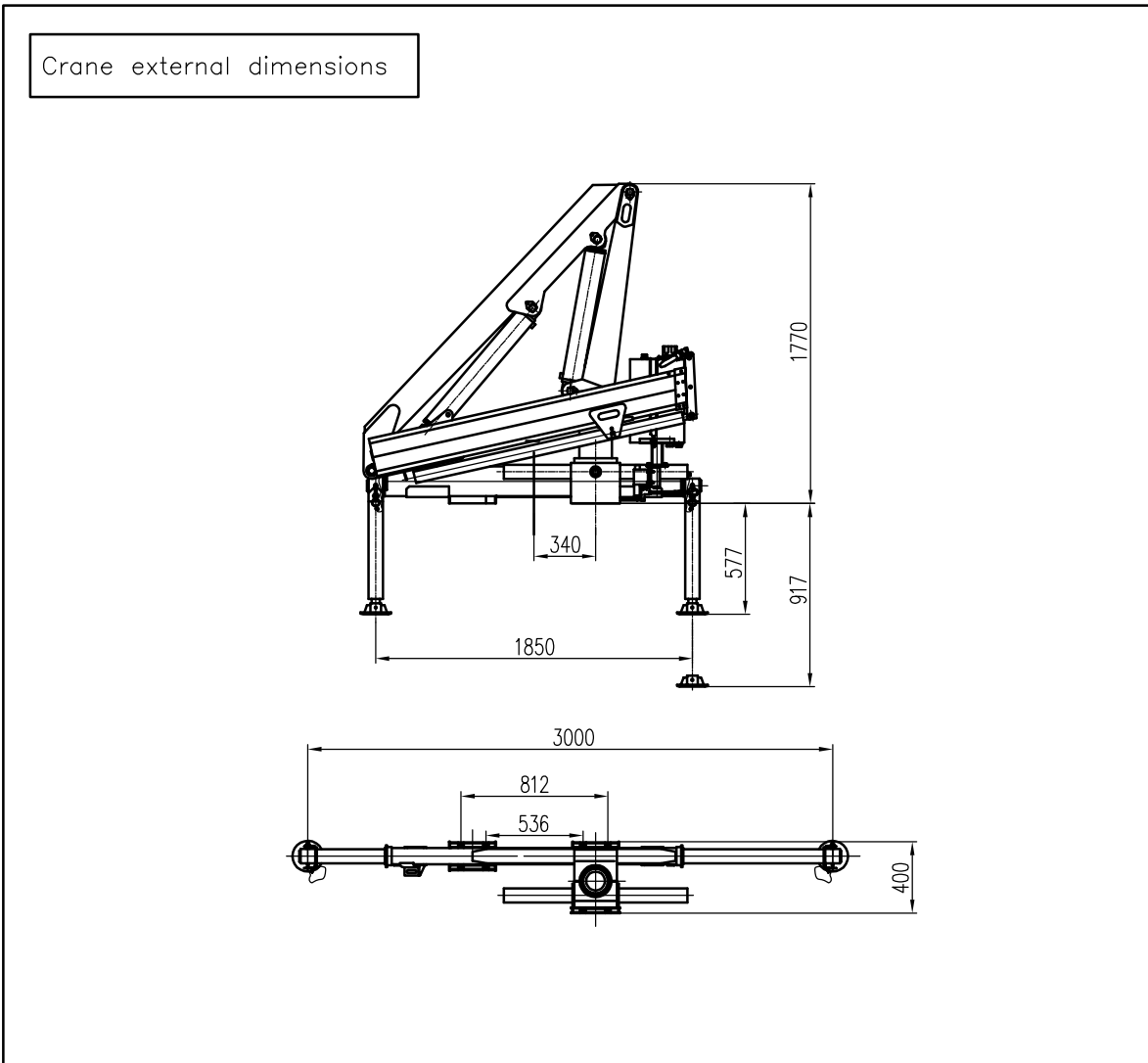
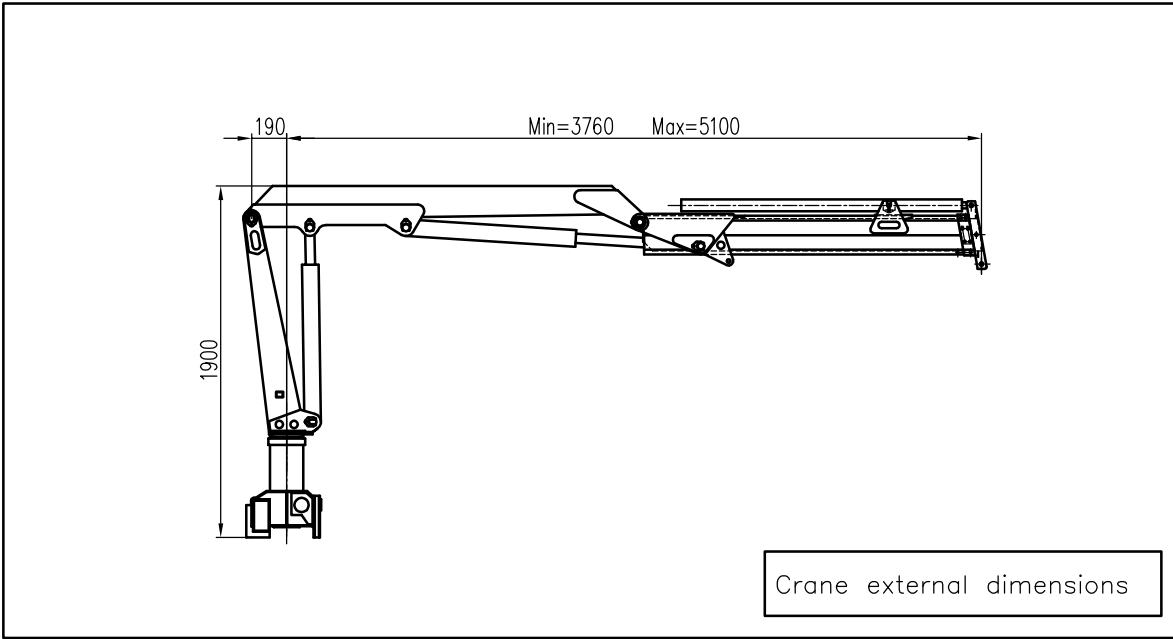
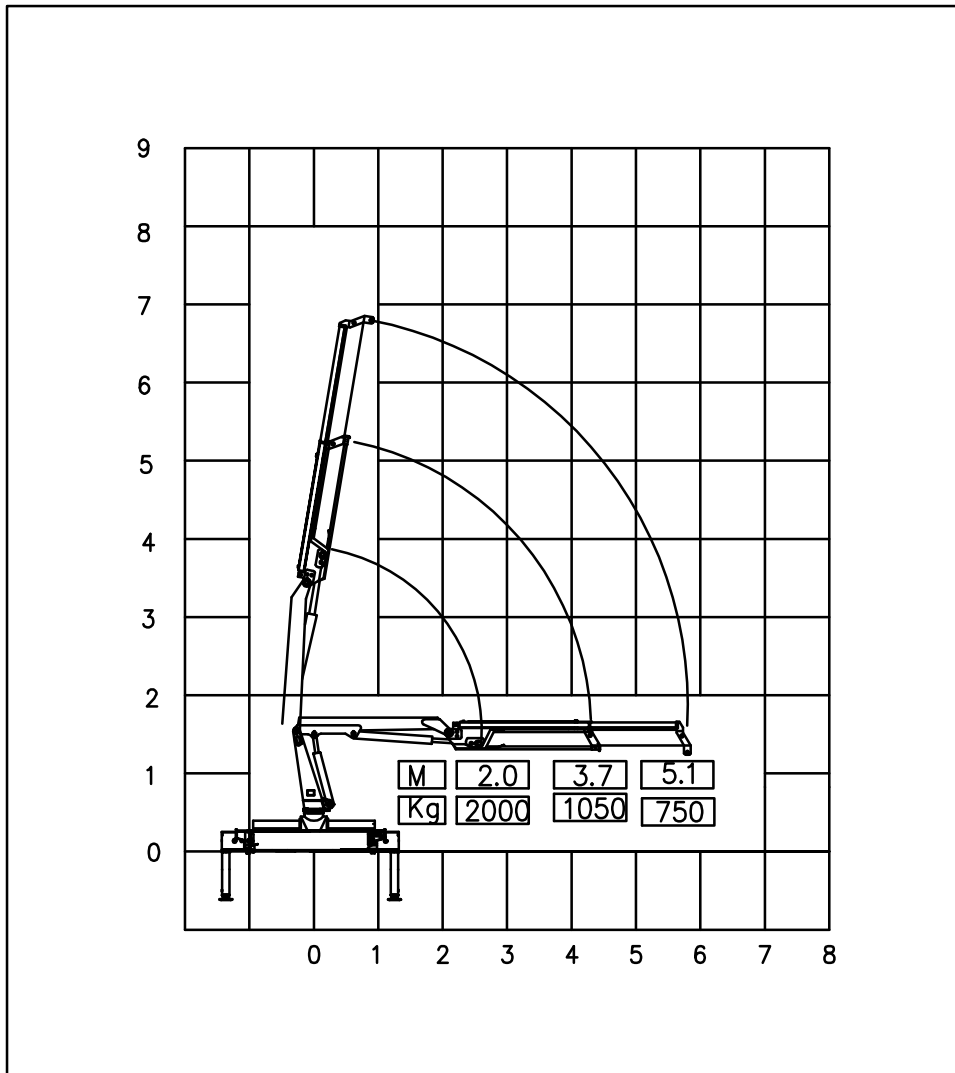


LOADING CURVE

Crane main technical parameters

Max lifting movement	19.6KN/m	Rated hydraulic flow	15L/Min
Maximum Lifting weight	1500Kg	Maximum working pressure	22Mpa
Maximum working range	3.2m	Slewing speed	≤ 3r/Min
Maximum lifting height	≥4.4m	Recommended power	7.5Kw
Boom Angle	70°	Oil tank capacity	25L
Slewing angle	330°	Installation space	550mm
Hydraulic Crane weight	534Kg	Operation temperature	-25°C~+50°C

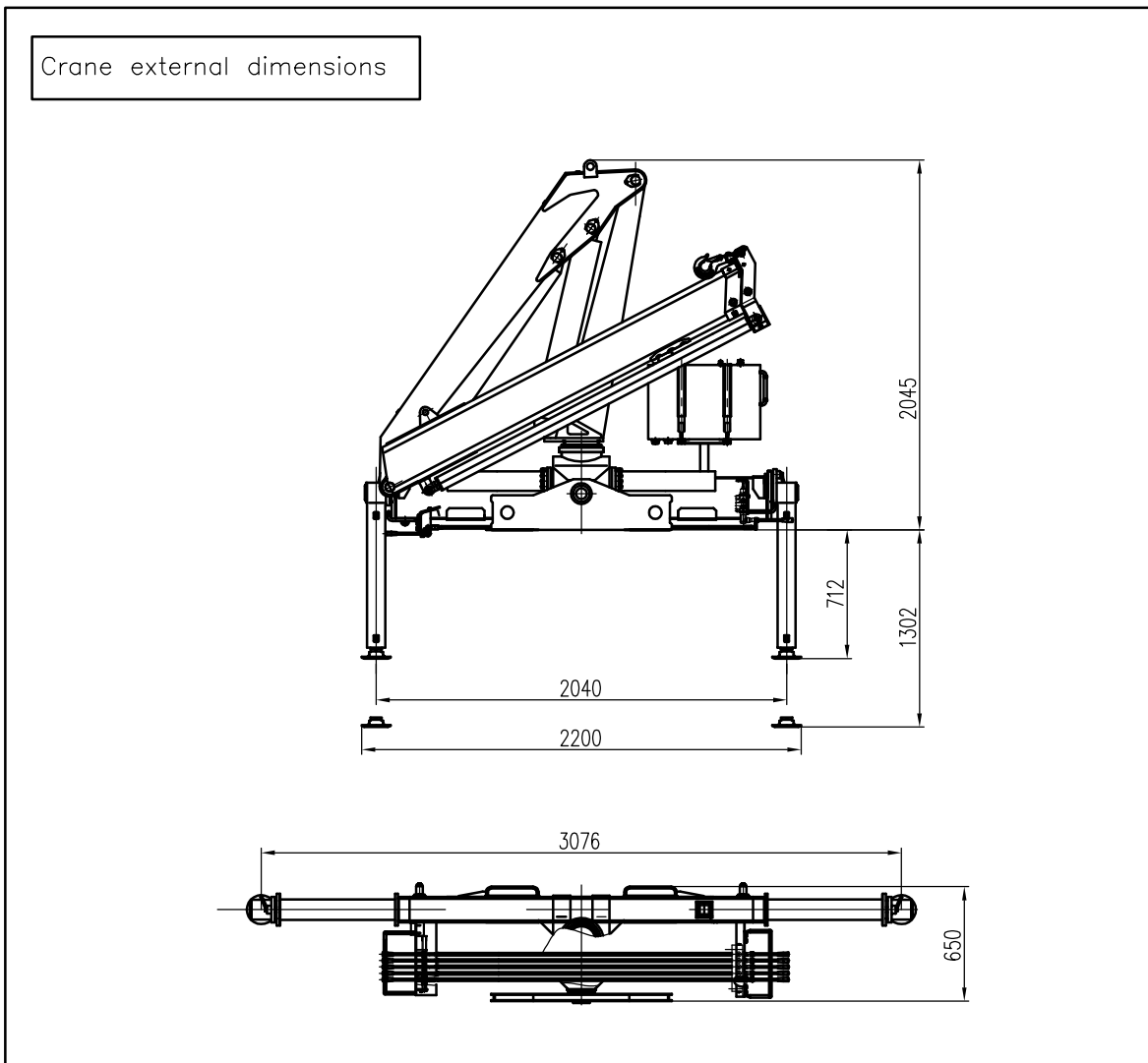
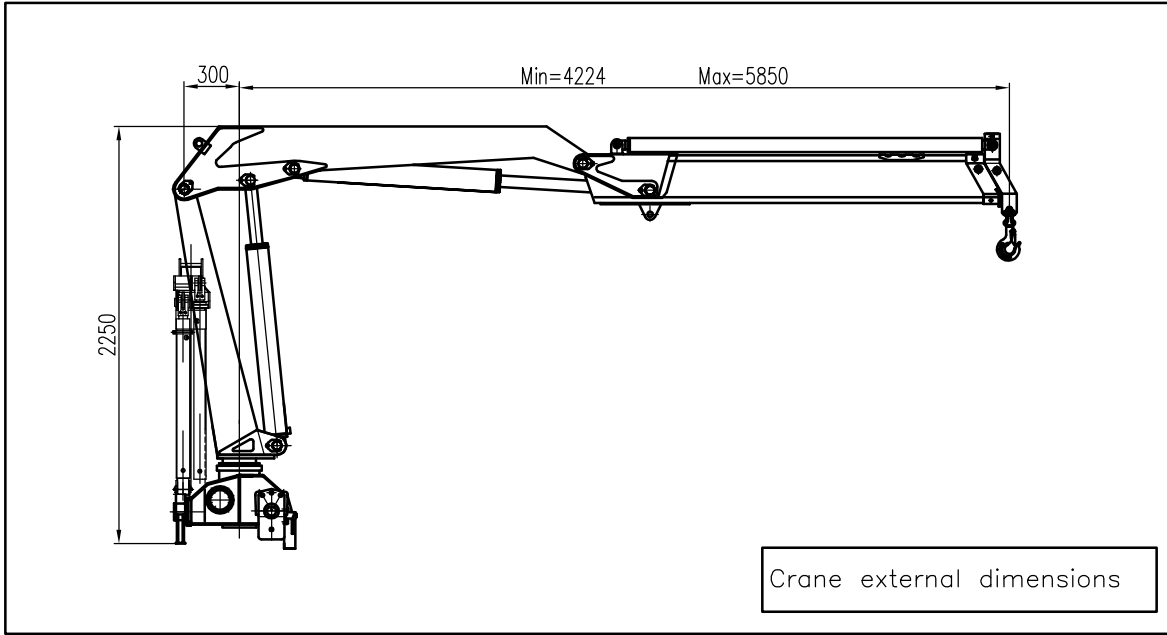




LOADING CURVE

Crane main technical parameters

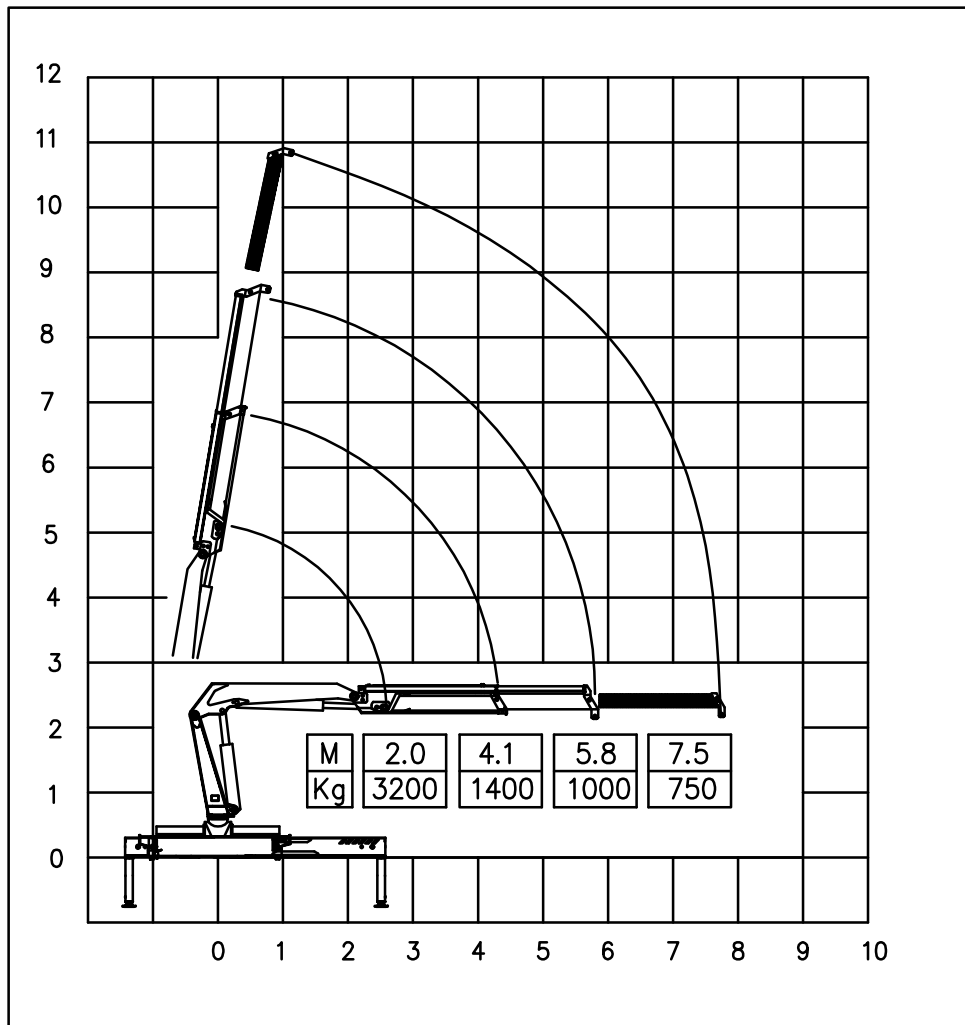
Maximun Lifting weight	2000Kg	Oil tank capacity	30L
Max lifting movement	4 t.m	Slewing angle	400°
Recommended power	8KW	Hydrauc Crane weight	750kg
Recommended hydraulic flow	20 L/min	Installation space	800mm
Rated hydraulic pressure	22MPa		



SQZ68A. 1

SQZ68A. 2

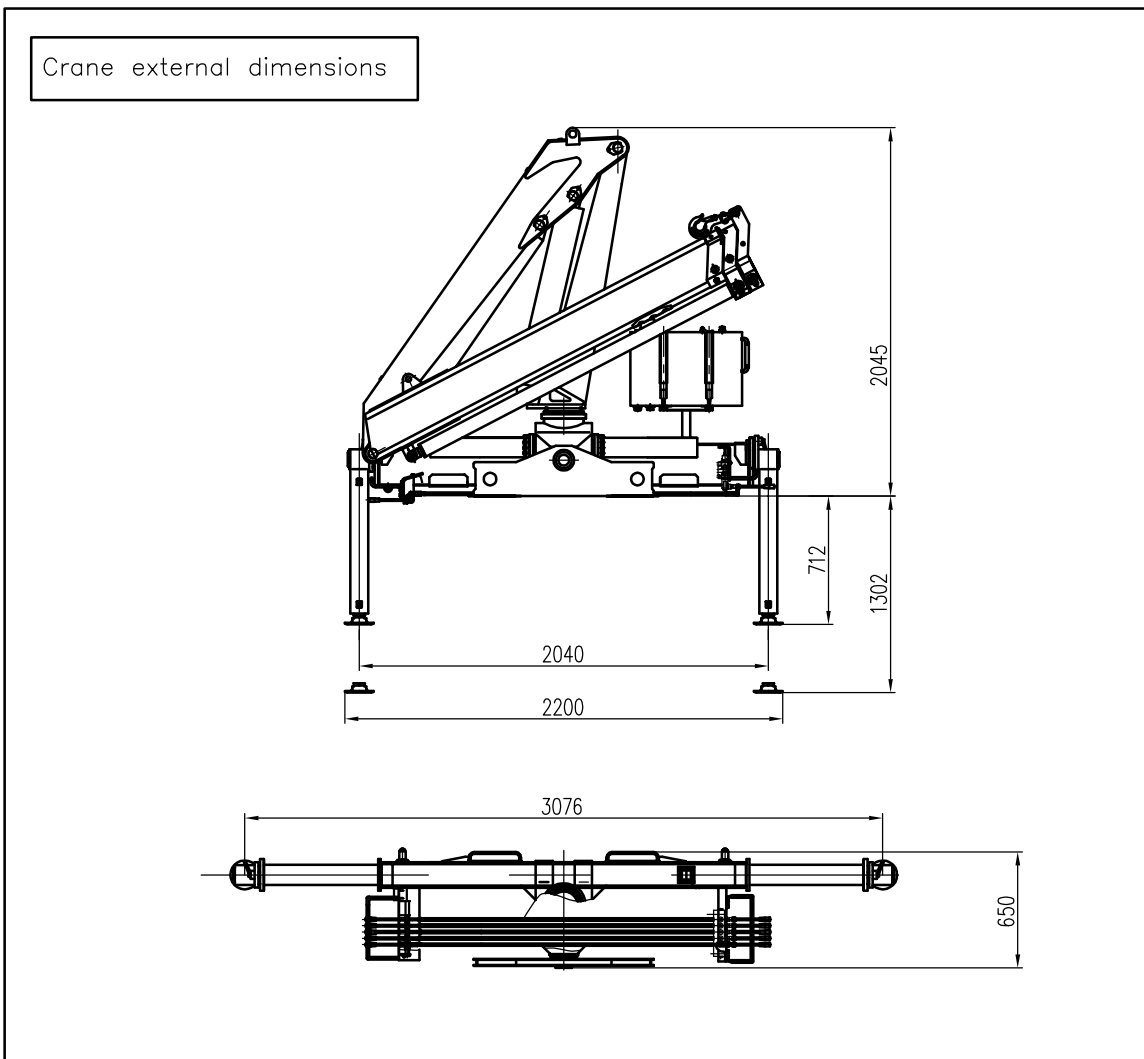
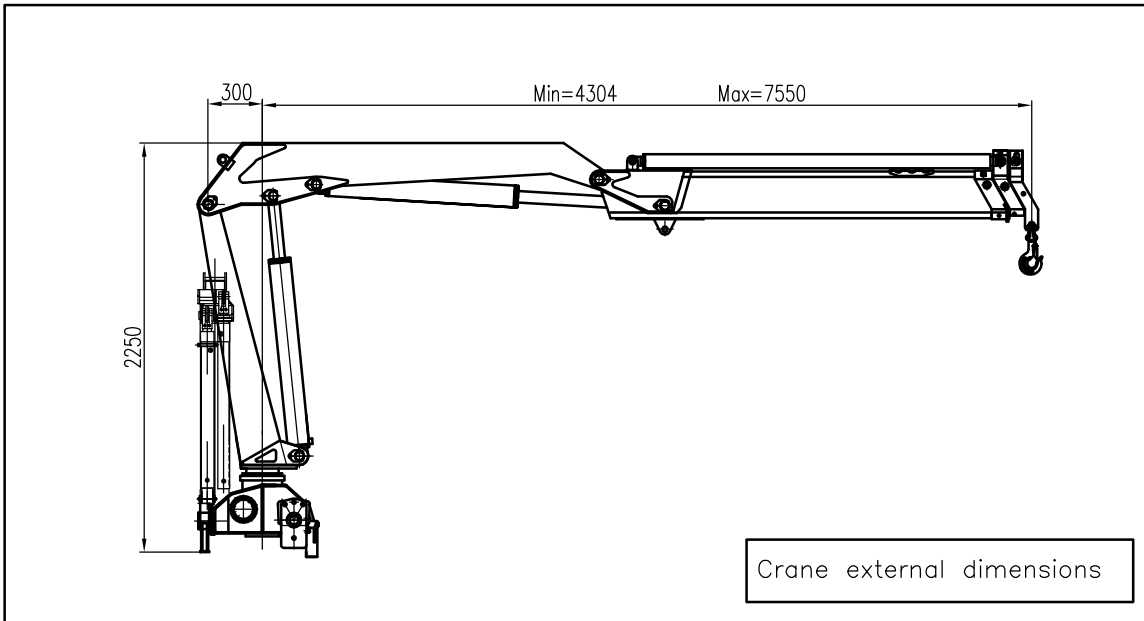
SQZ68A. 3

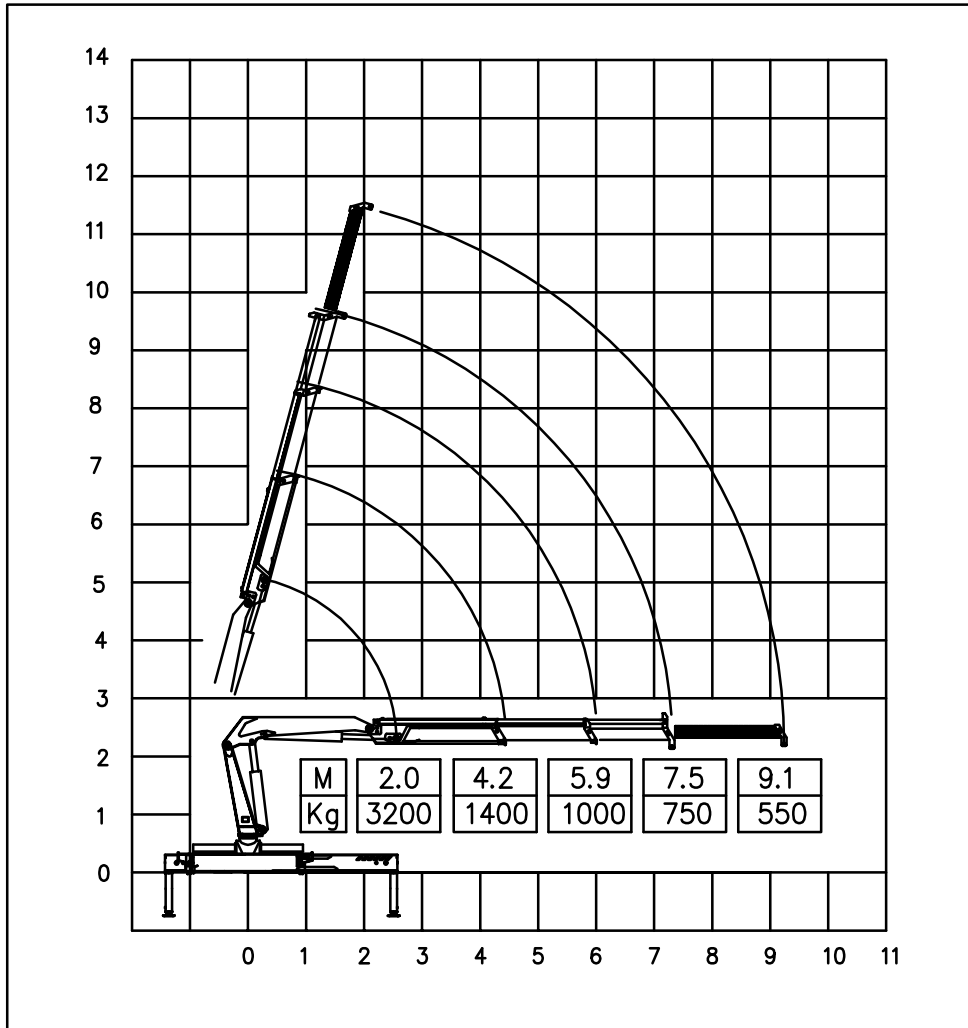


LOADING CURVE

Crane main technical parameters

Maximun Lifting weight	3200Kg	Oil tank capacity	60L
Max lifting movement	6.4 t.m	Slewing angle	400°
Recommended power	15KW	Hydrauc Crane weight	1050kg
Recommended hydraulic flow	25 L/min	Installation space	850mm
Rated hydraulic pressure	28MPa		

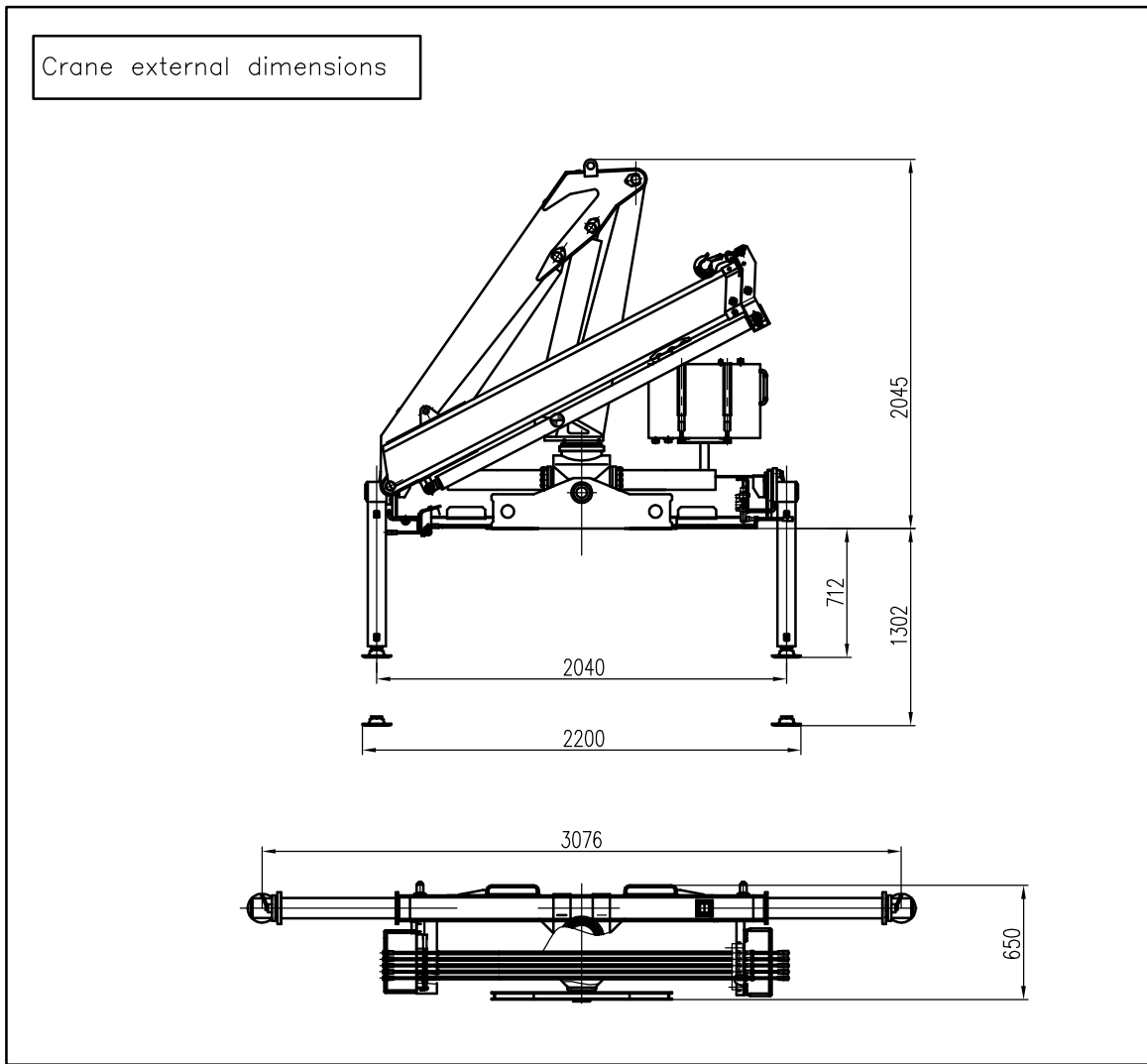
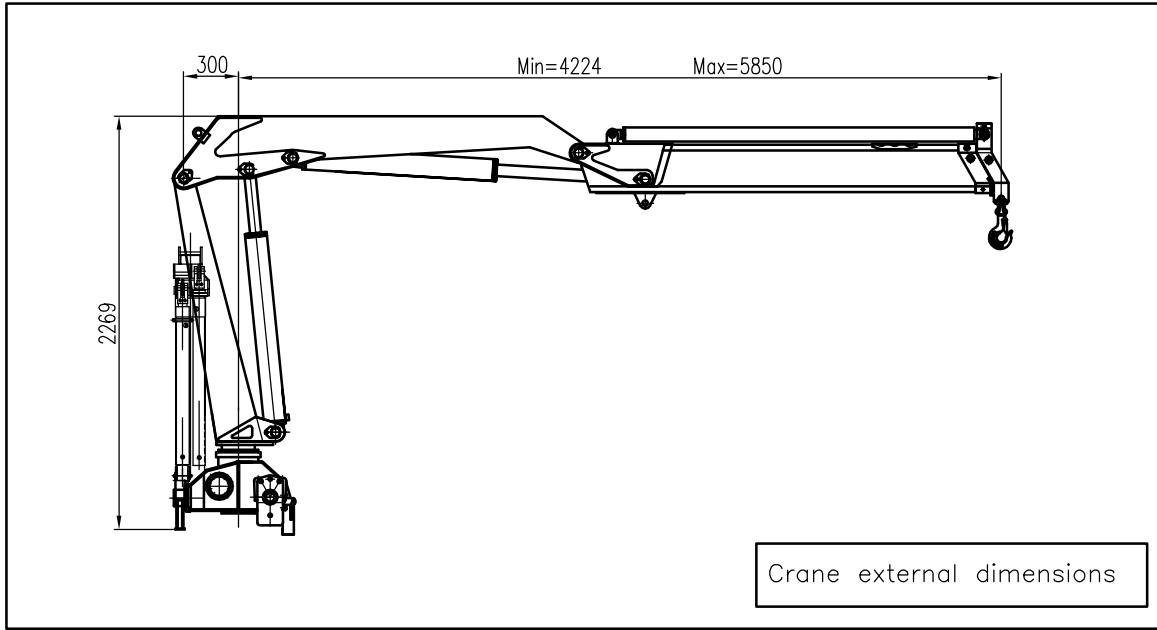




LOADING CURVE

Crane main technical parameters

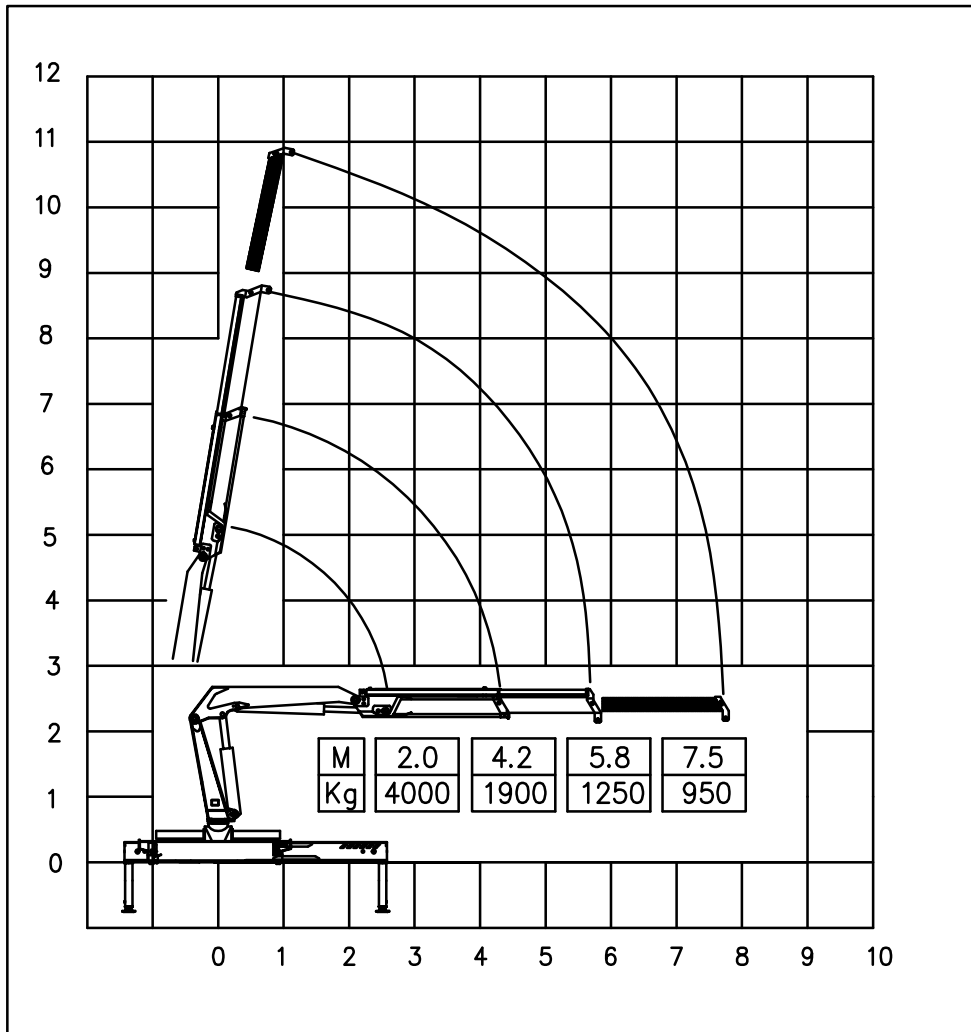
Maximun Lifting weight	3200Kg	Oil tank capacity	60L
Max lifting movement	6.4 t.m	Slewing angle	400°
Recommended power	15KW	Hydraucic Crane weight	1120kg
Recommended hydraulic flow	25 L/min	Installation space	850mm
Rated hydraulic pressure	28MPa		



SQZ84A. 1

SQZ84A. 2

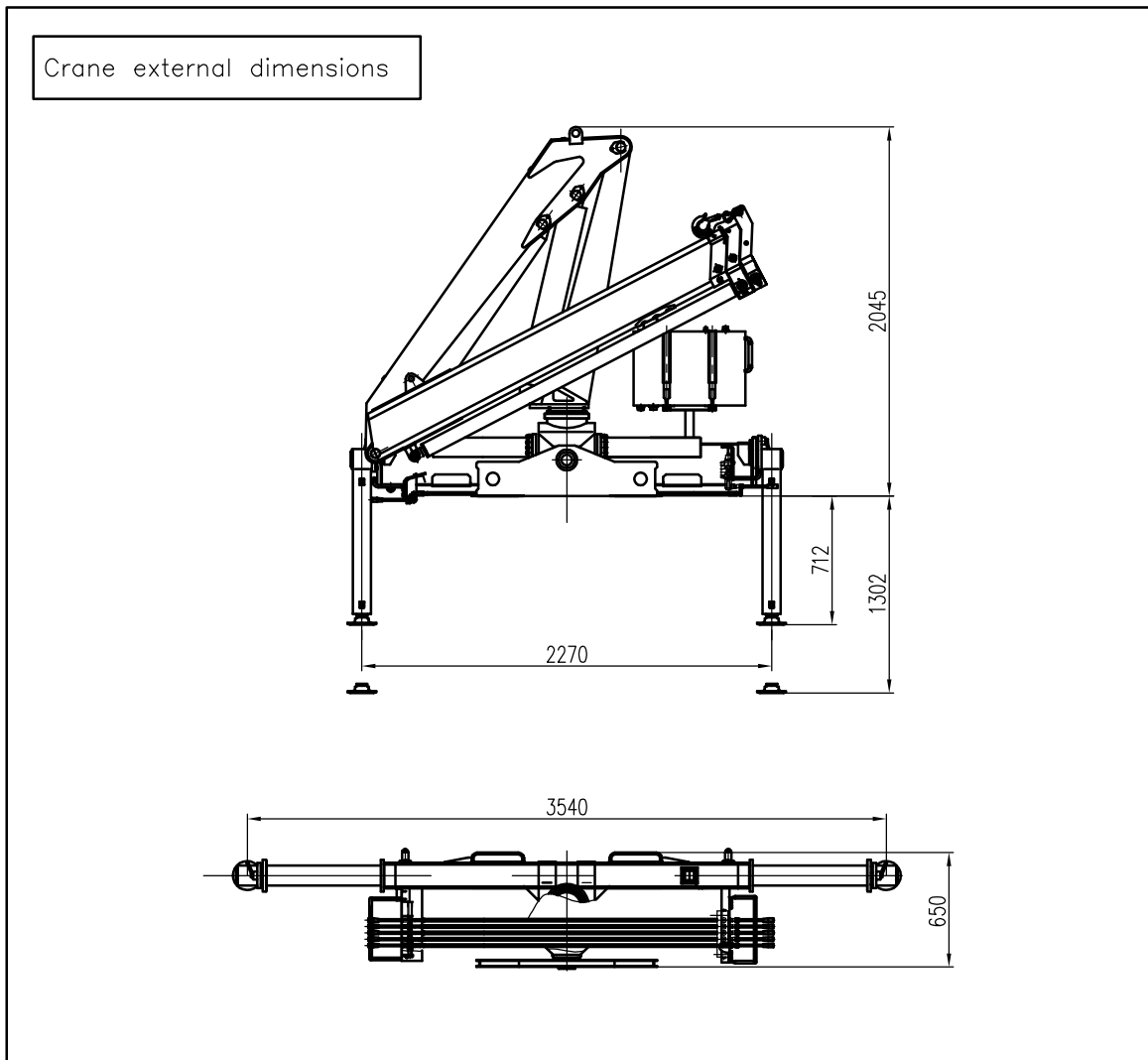
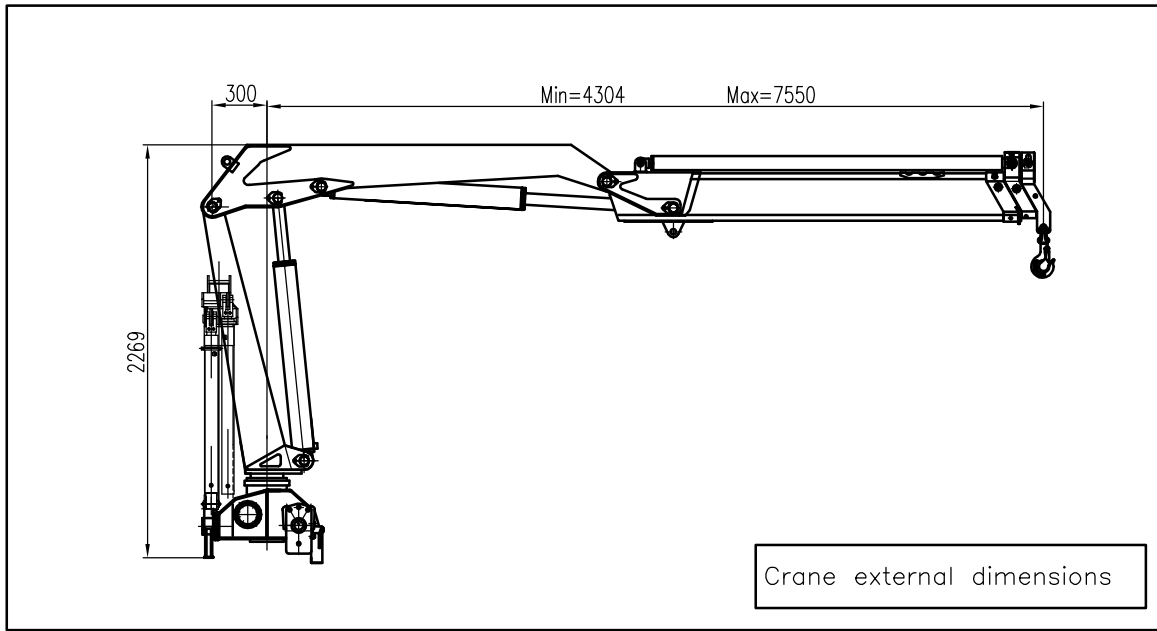
SQZ84A. 3

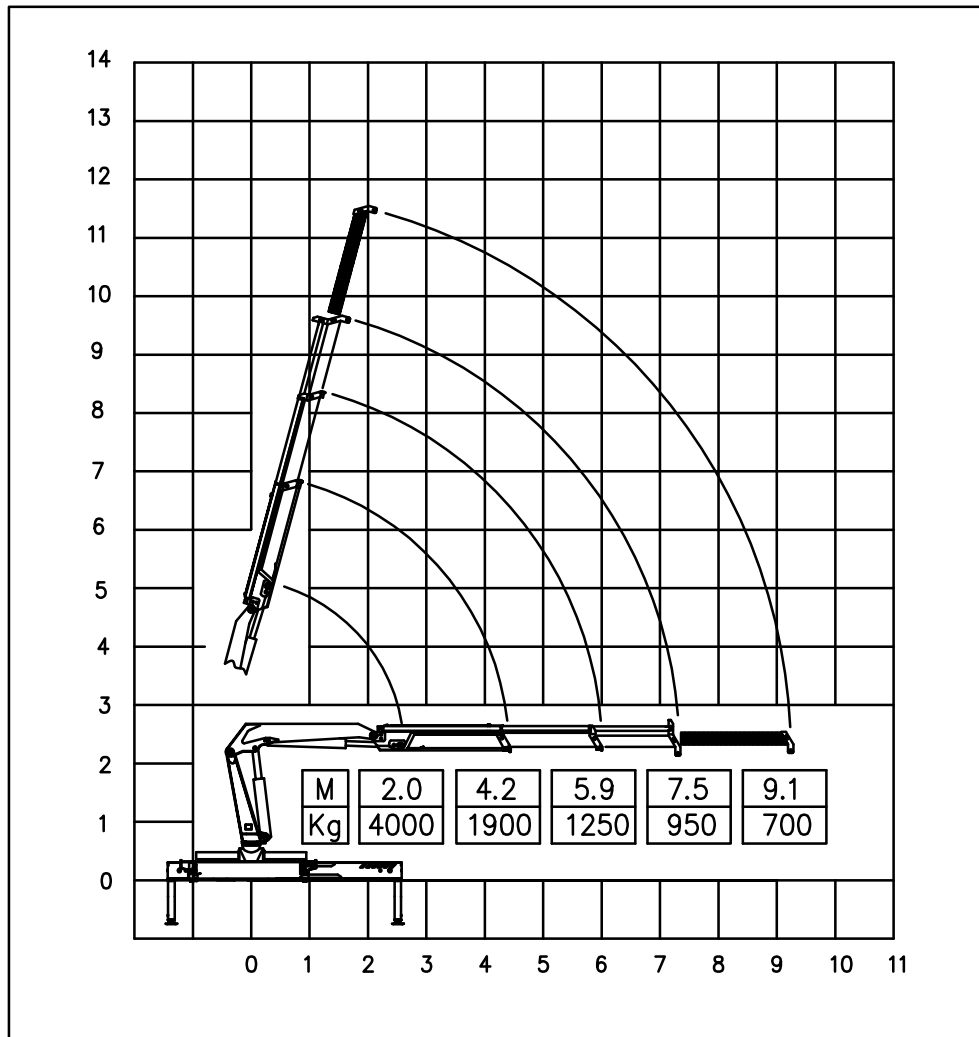


LOADING CURVE

Crane main technical parameters

Maximun Lifting weight	4000Kg	Oil tank capacity	60L
Max lifting movement	8.0 t.m	Slewing angle	400°
Recommended power	15KW	Hydraic Crane weight	1180kg
Recommended hydraulic flow	25 L/min	Installation space	850mm
Rated hydraulic pressure	28MPa		

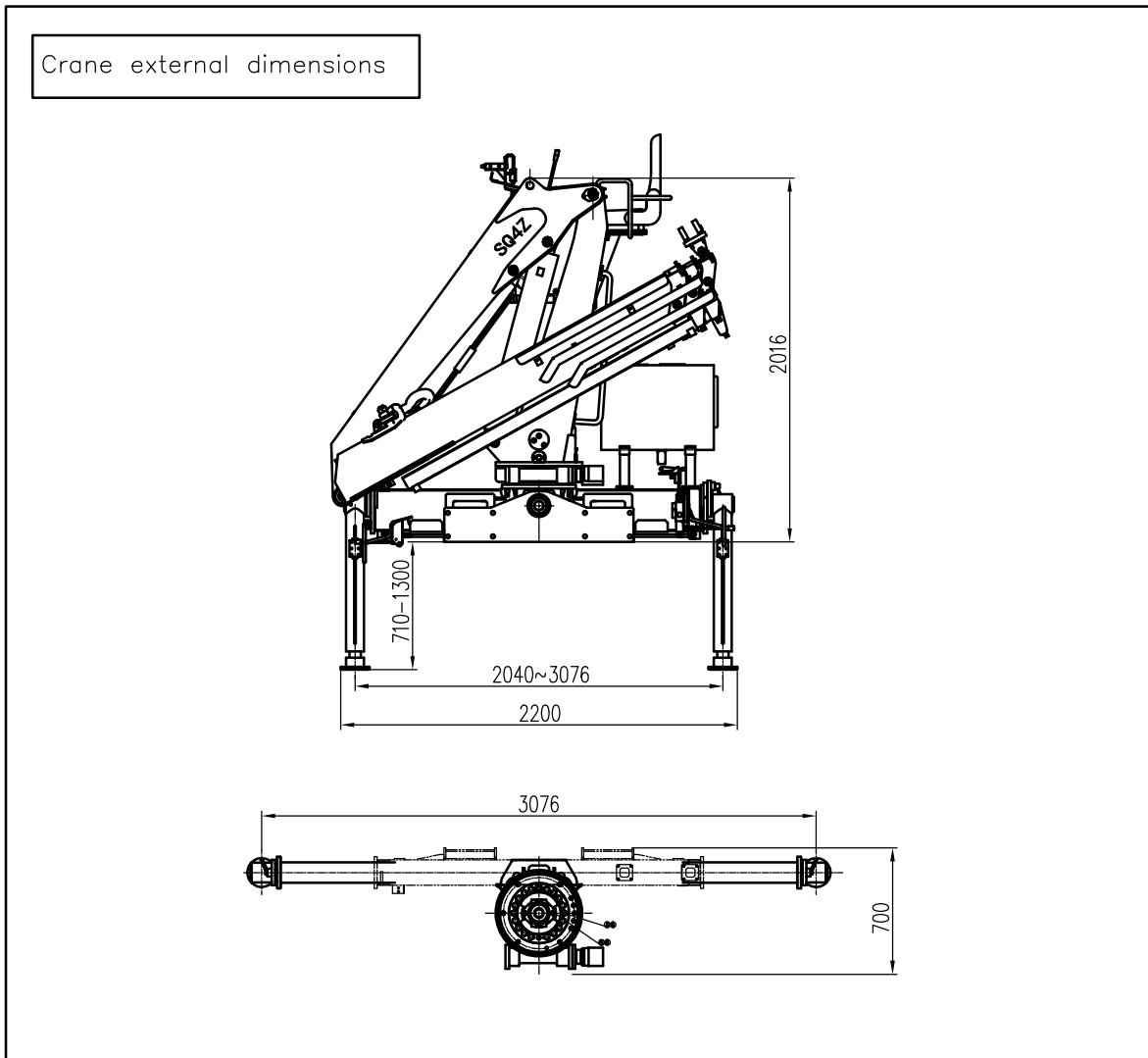
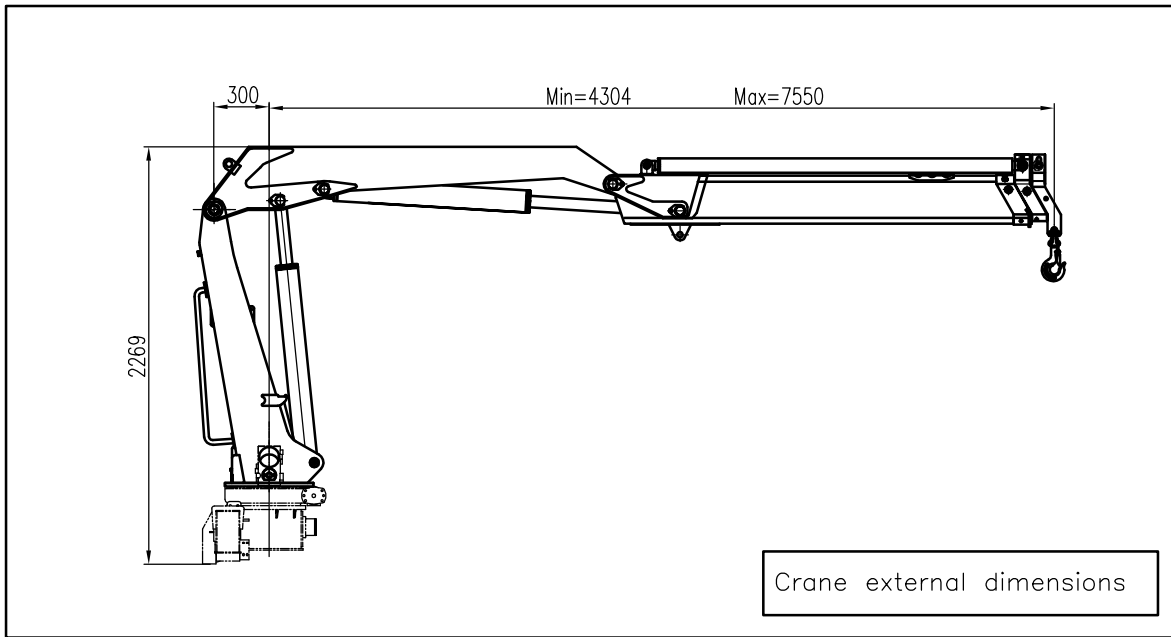


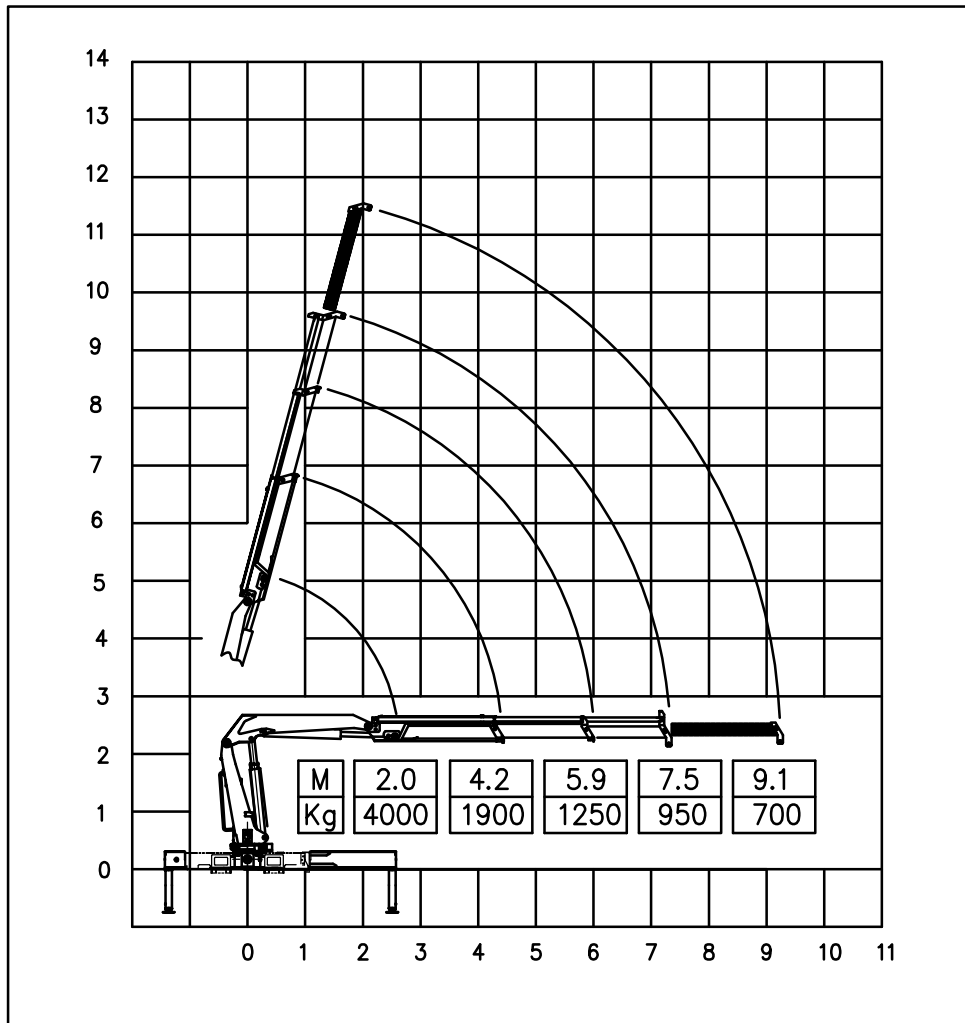


LOADING CURVE

Crane main technical parameters

Maximun Lifting weight	4000Kg	Oil tank capacity	60L
Max lifting movement	8.0 t.m	Slewing angle	400°
Recommended power	15KW	Hydraic Crane weight	1250kg
Recommended hydraulic flow	25 L/min	Installation space	850mm
Rated hydraulic pressure	28MPa		

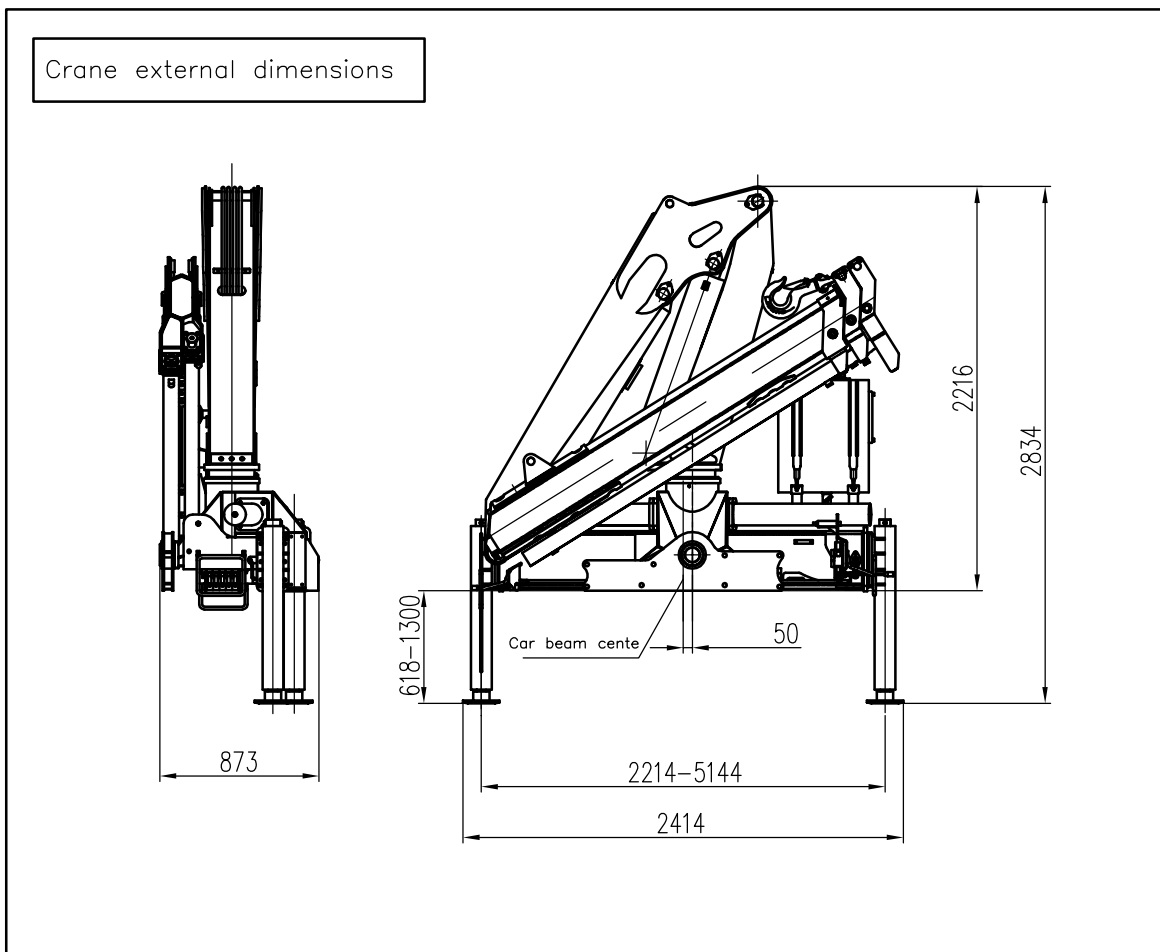
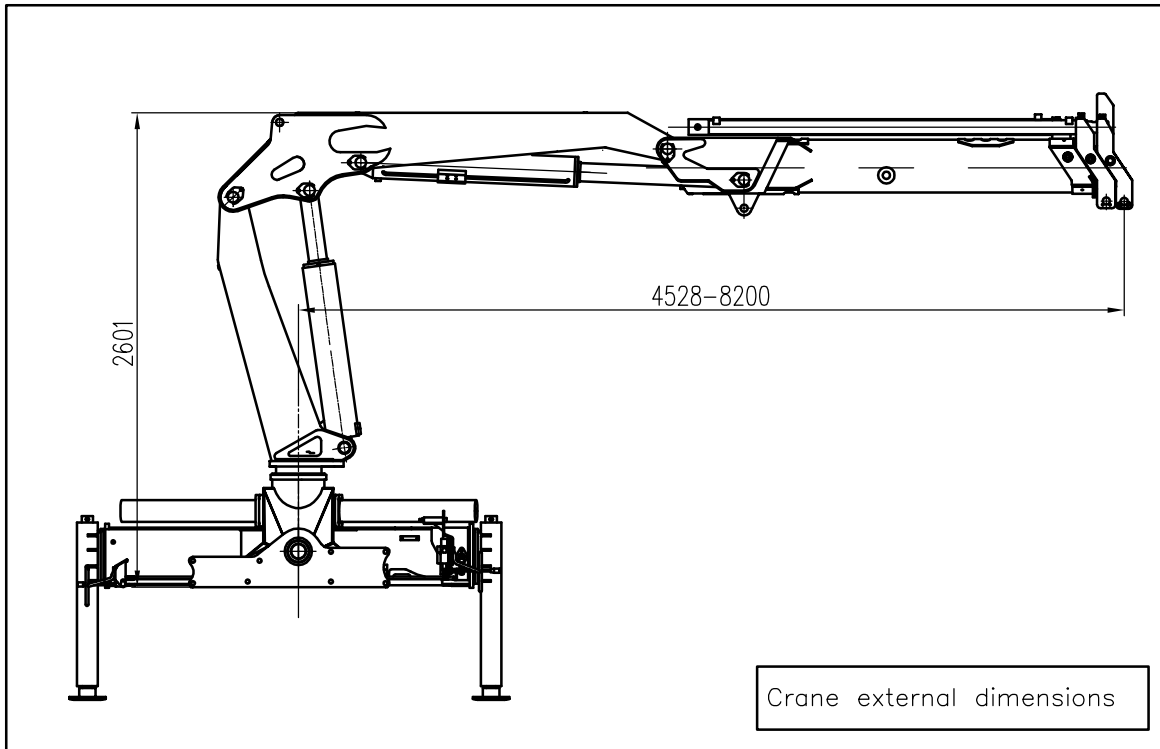


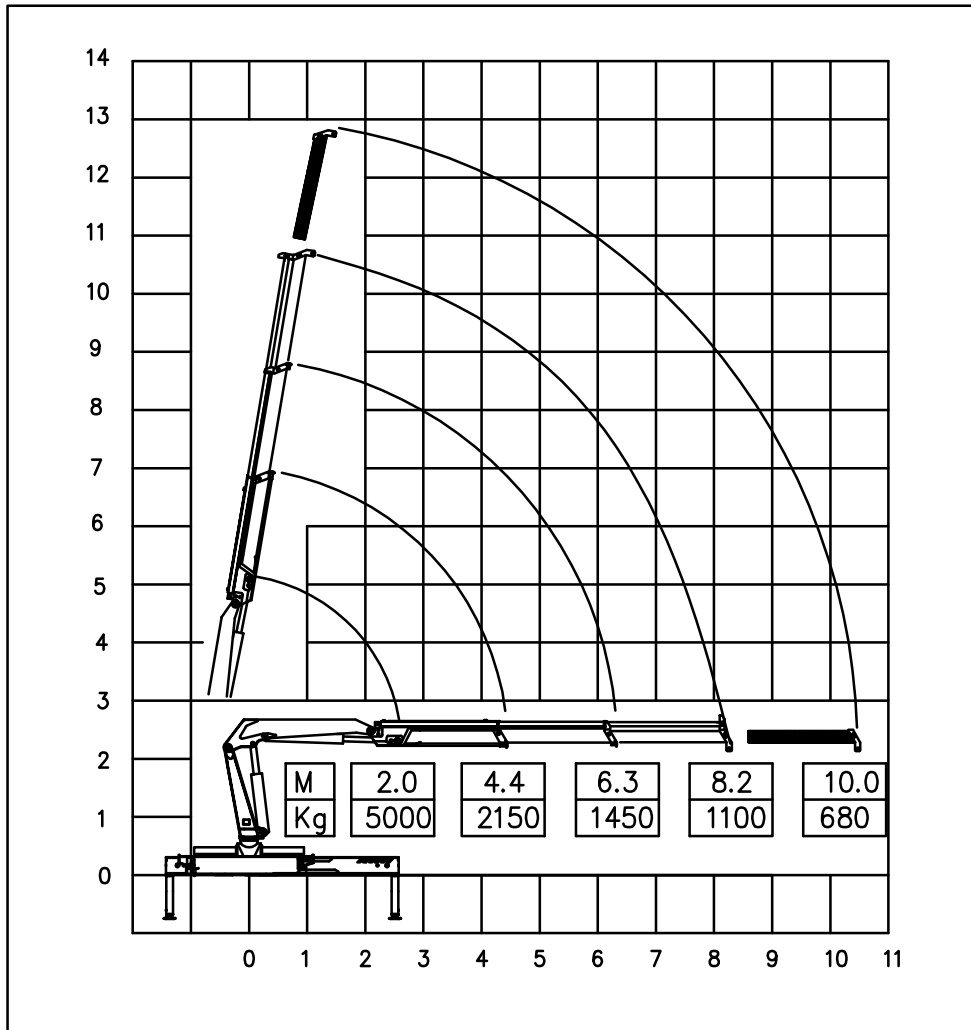


LOADING CURVE

Crane main technical parameters

Maximun Lifting weight	4000Kg	Oil tank capacity	60L
Max lifting movement	8.0 t.m	Slewing angle	360°
Recommended power	15KW	Hydraulic Crane weight	1250kg
Recommended hydraulic flow	25 L/min	Installation space	850mm
Rated hydraulic pressure	28MPa	Slewing pressure	≤ 20MPa

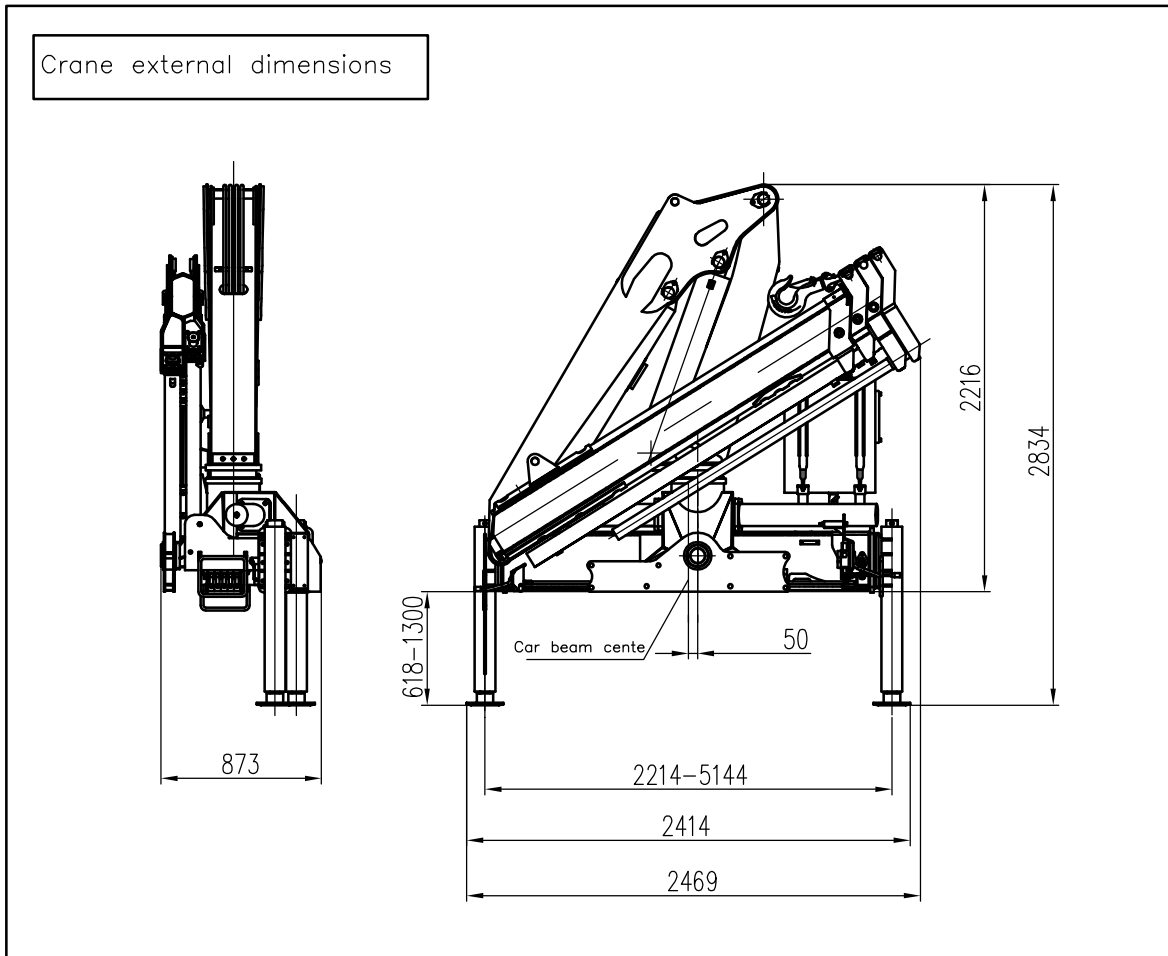
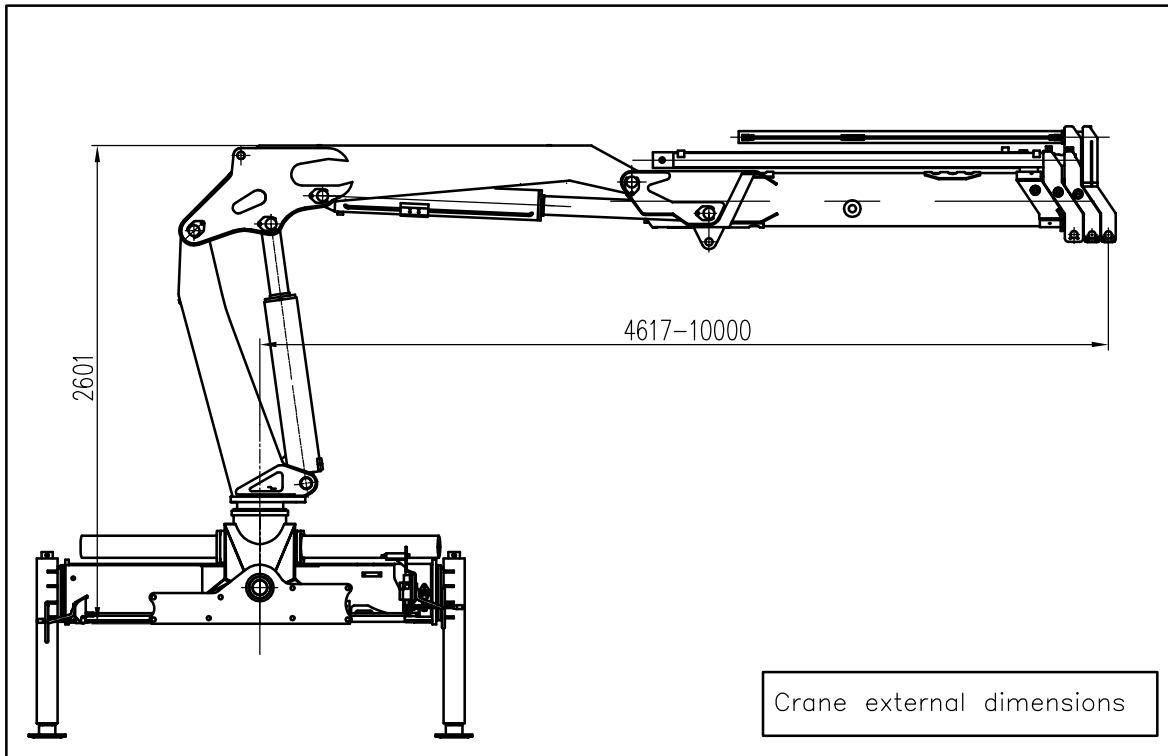


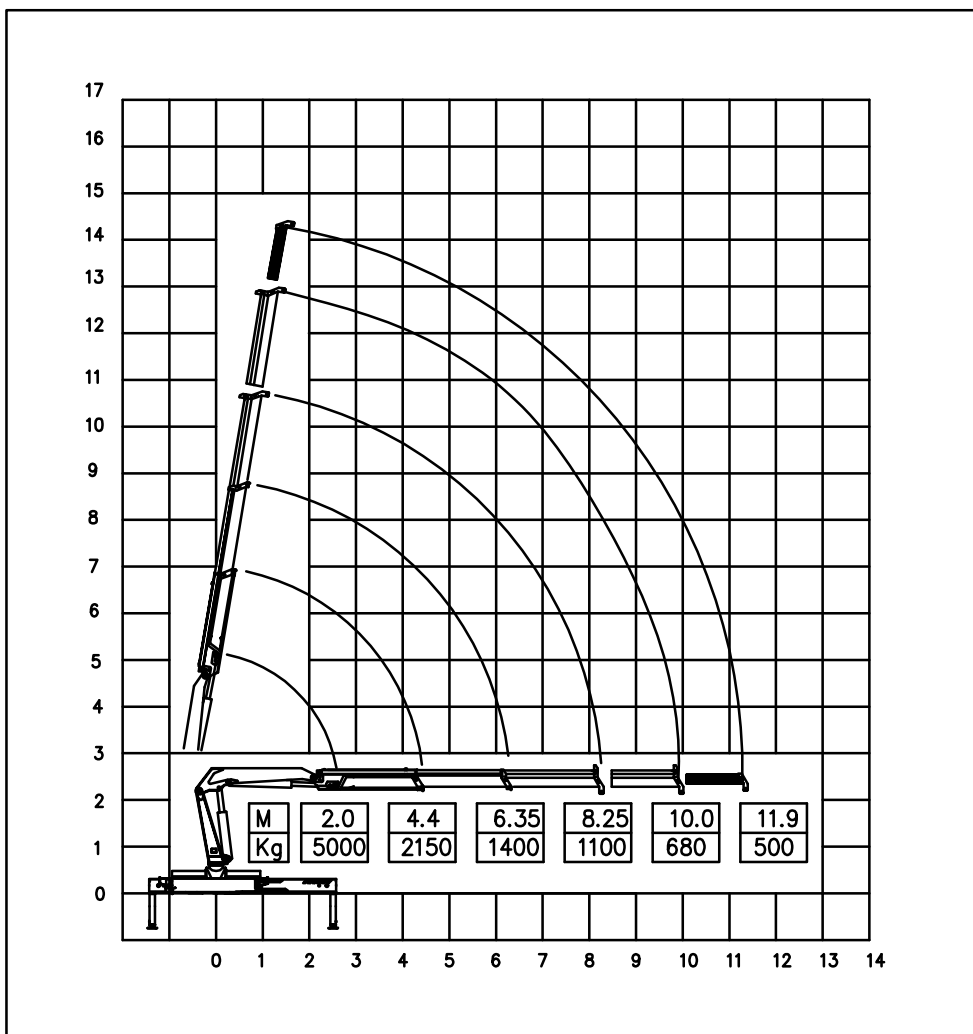


LOADING CURVE

Crane main technical parameters

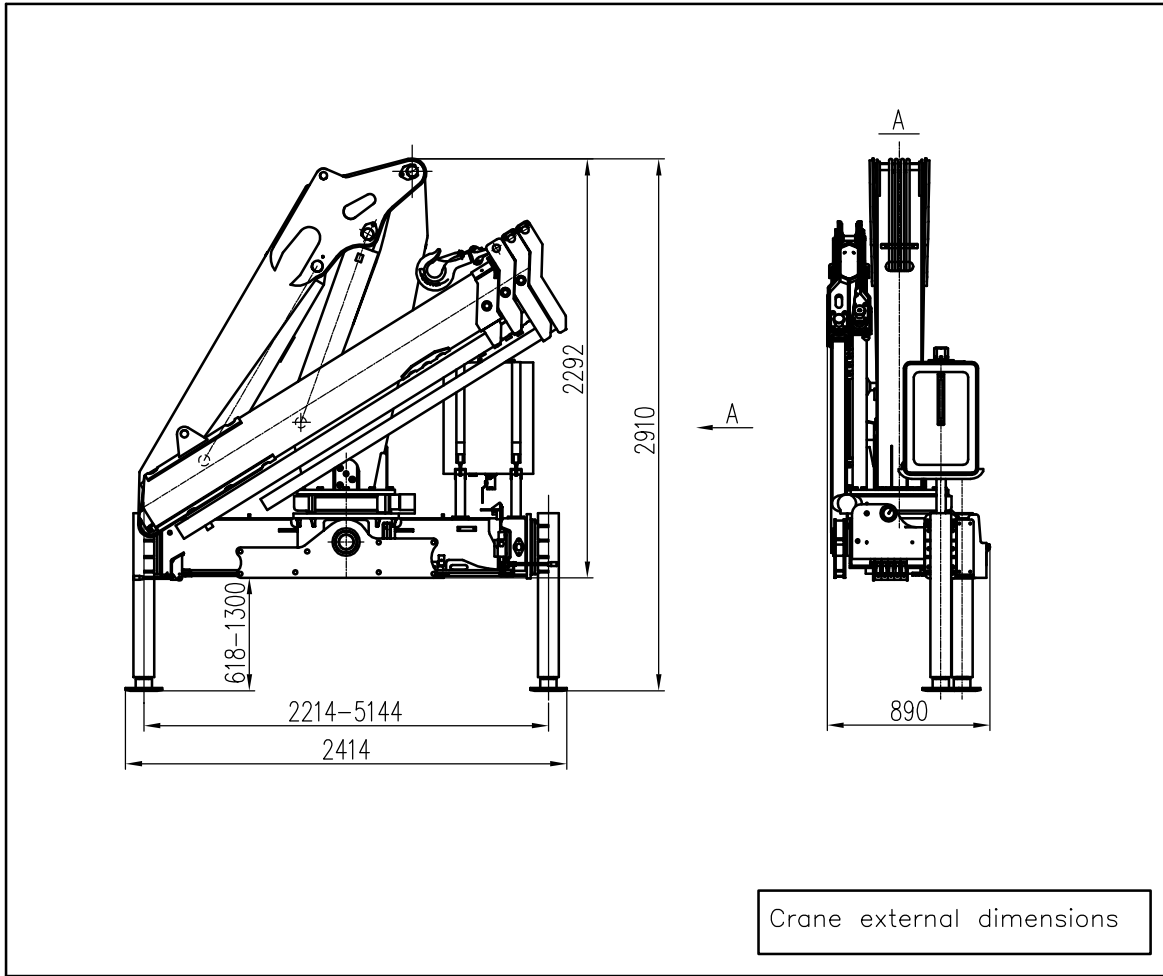
Maximun Lifting weight	5000Kg	Oil tank capacity	100L
Max lifting movement	10 t.m	Slewing angle	40°
Recommended power	20KW	Hydrauc Crane weight	1790Kg
Recommended hydraulic flow	40 L/min	Installation space	1070mm
Rated hydraulic pressure	28MPa		



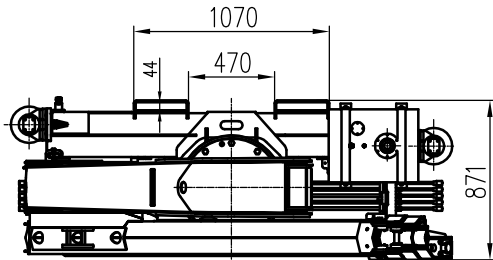


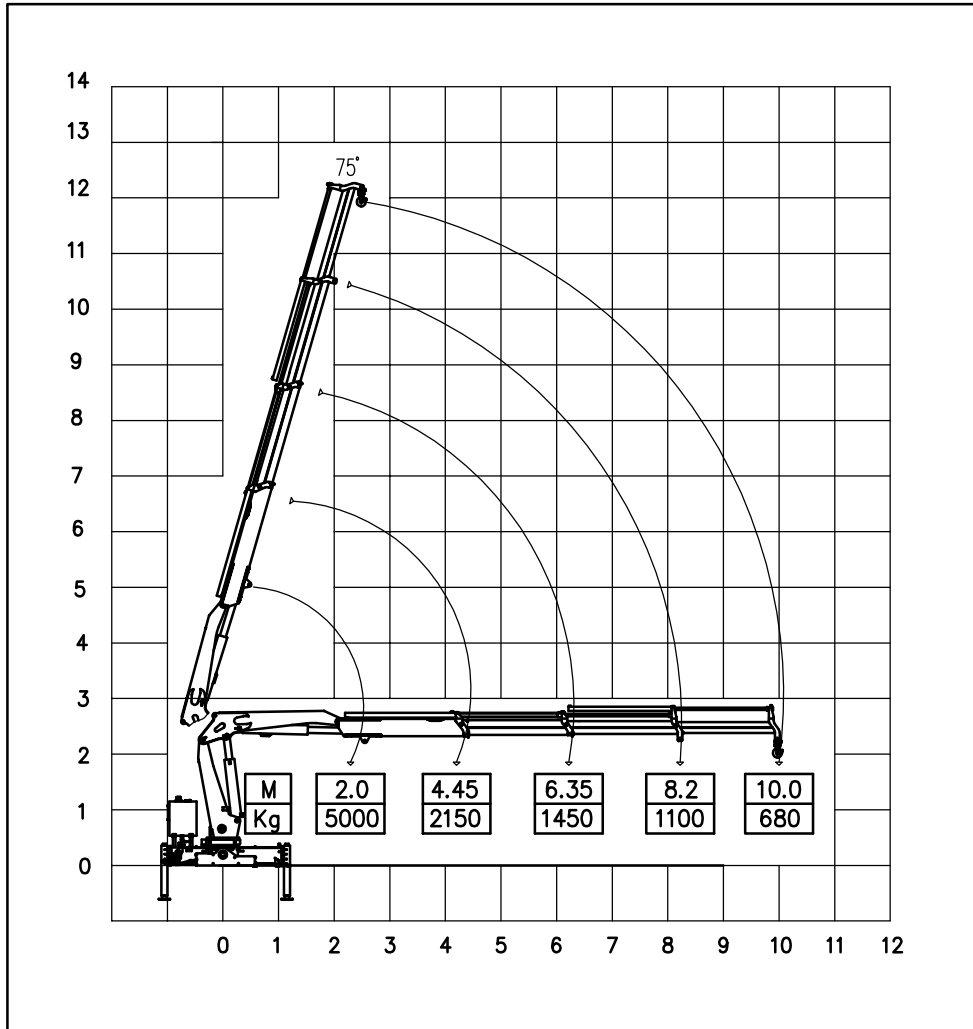
LOADING CURVE

Maximun Lifting weight	5000Kg	Oil tank capacity	100L
Max lifting movement	10.0 t.m	Slewing angle	400°
Recommended power	20KW	Hydraulic Crane weight	2050Kg
Recommended hydraulic flow	40 L/min	Installation space	1070mm
Rated hydraulic pressure	28MPa		



起重机俯视图 外形尺寸

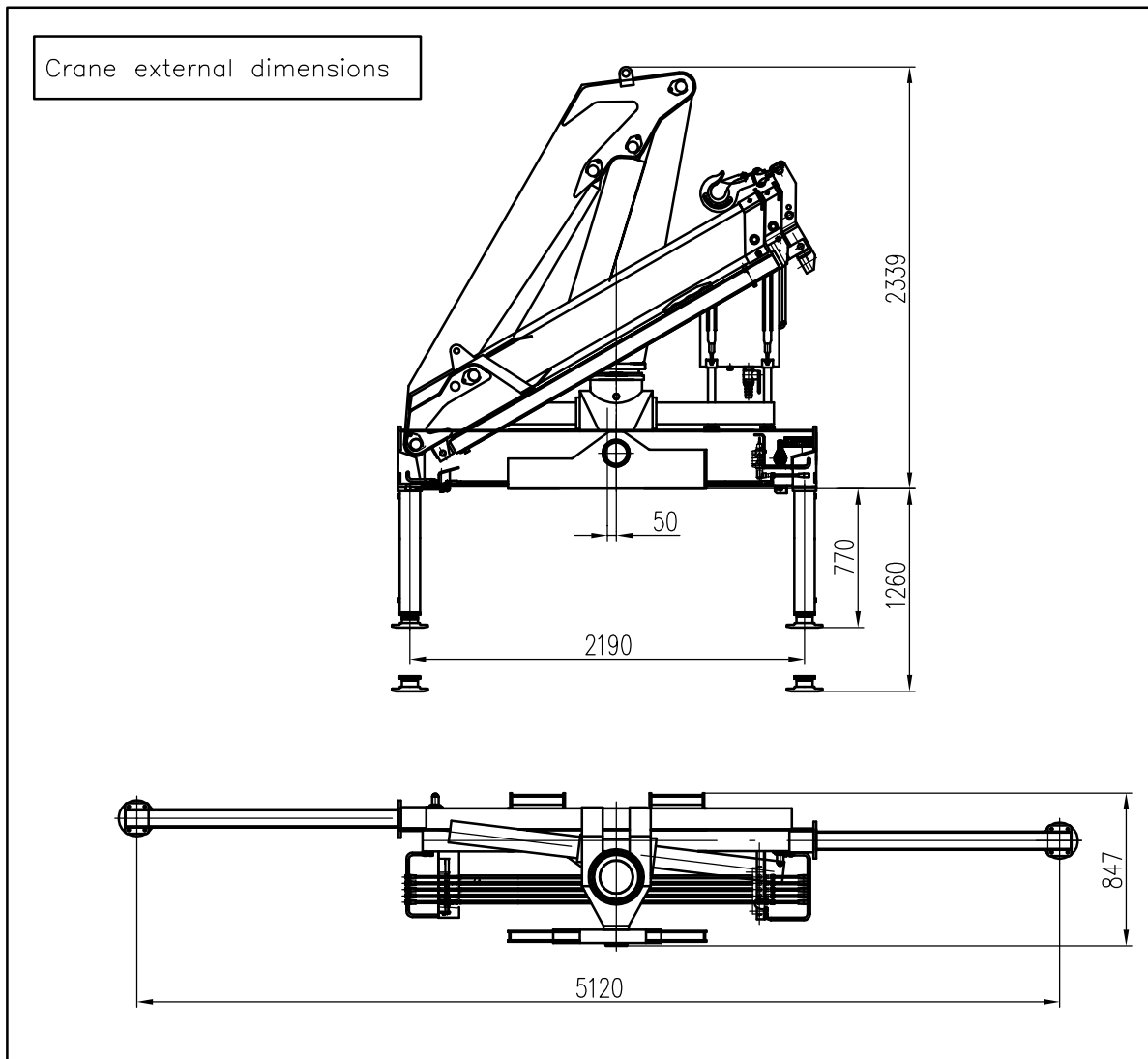
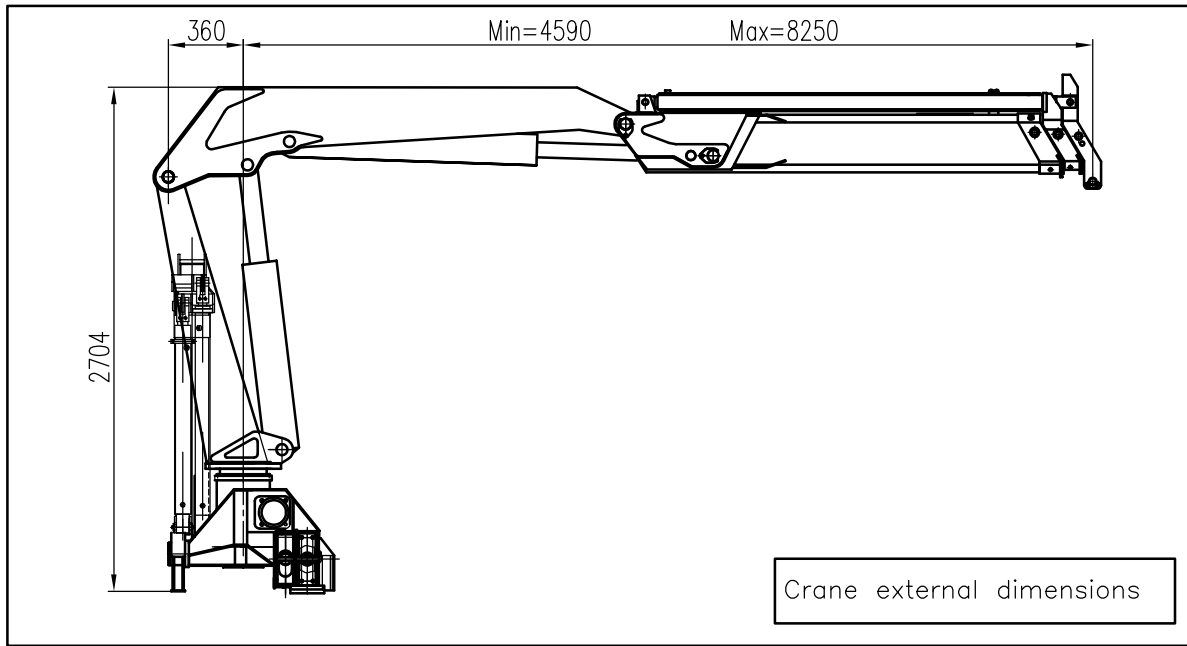




LOADING CURVE

Crane main technical parameters

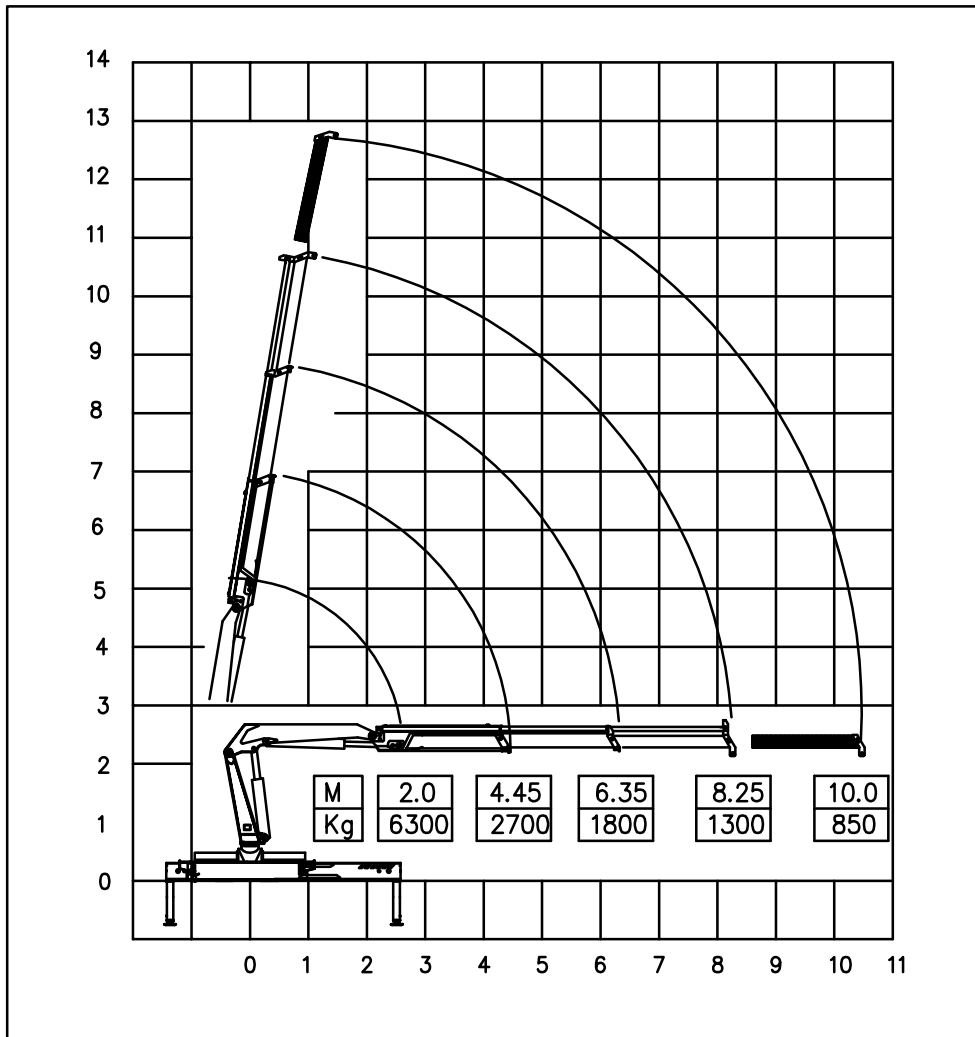
Maximun Lifting weight	5000Kg	Oil tank capacity	100L
Max lifting movement	10 t.m	Slewing angle	360°
Recommended power	30KW	Hydraulic Crane weight	2000Kg
Maximun hydraulic flow	40 L/min	Installation space	1050mm
Rated hydraulic pressure	28MPa	Slewing pressure	≥20MPa



SQZ132A. 2

SQZ132A. 3

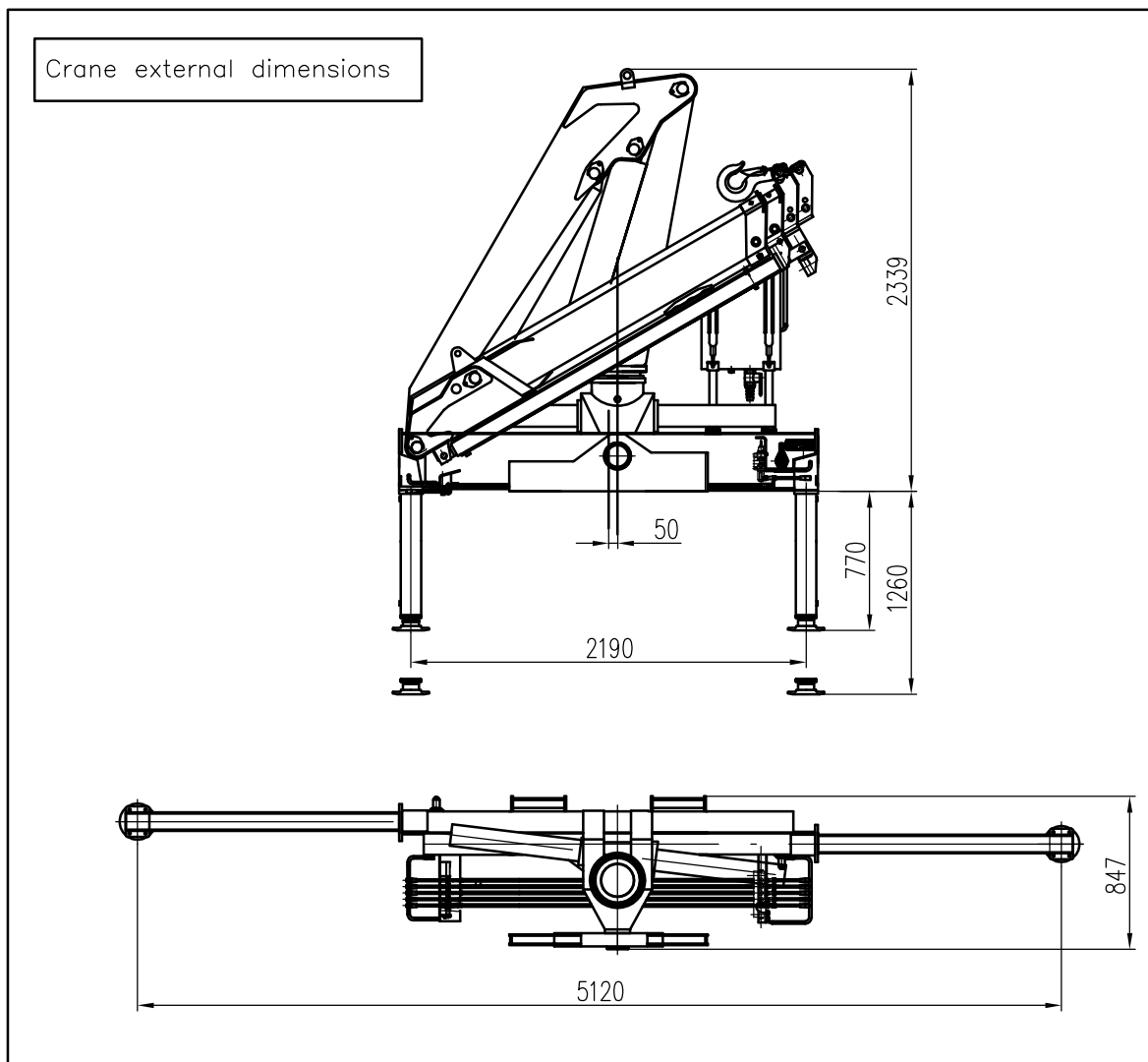
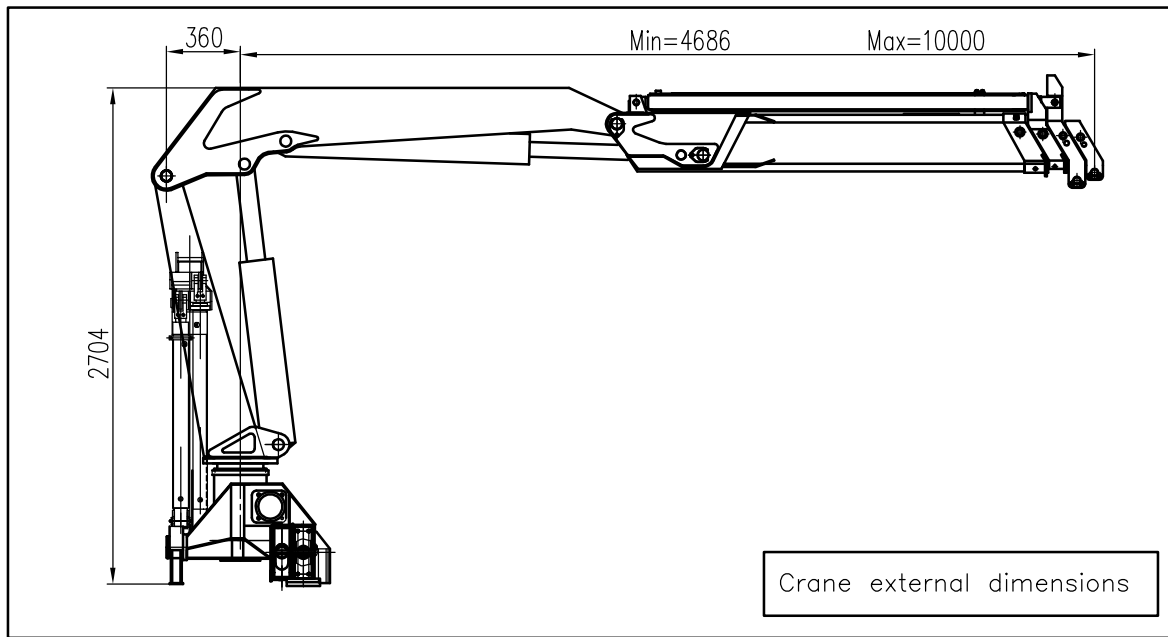
SQZ132A. 2J2

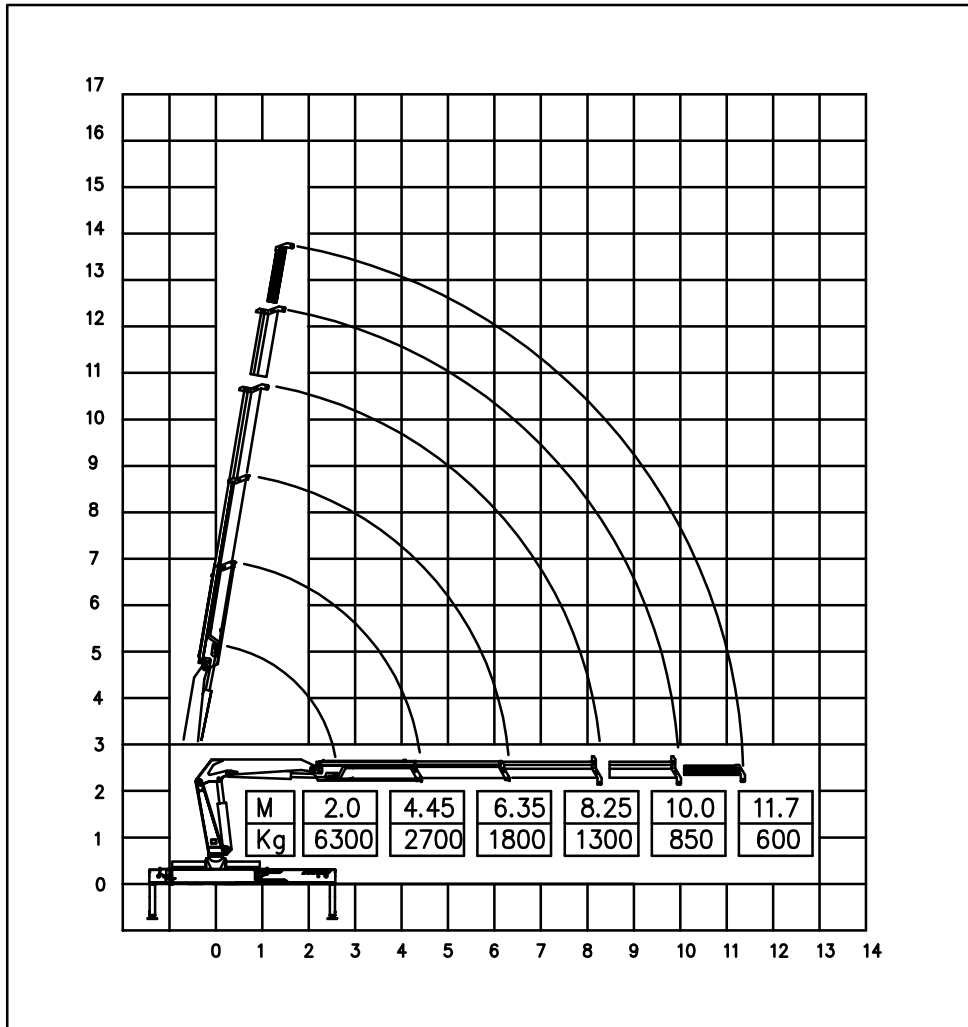


LOADING CURVE

Crane main technical parameters

Maximun Lifting weight	6300Kg	Oil tank capacity	100L
Max lifting movement	12.6 t.m	Slewing angle	400°
Recommended power	20KW	Hydraulic Crane weight	2200Kg
Recommended hydraulic flow	40 L/min	Installation space	1070mm
Rated hydraulic pressure	28MPa		

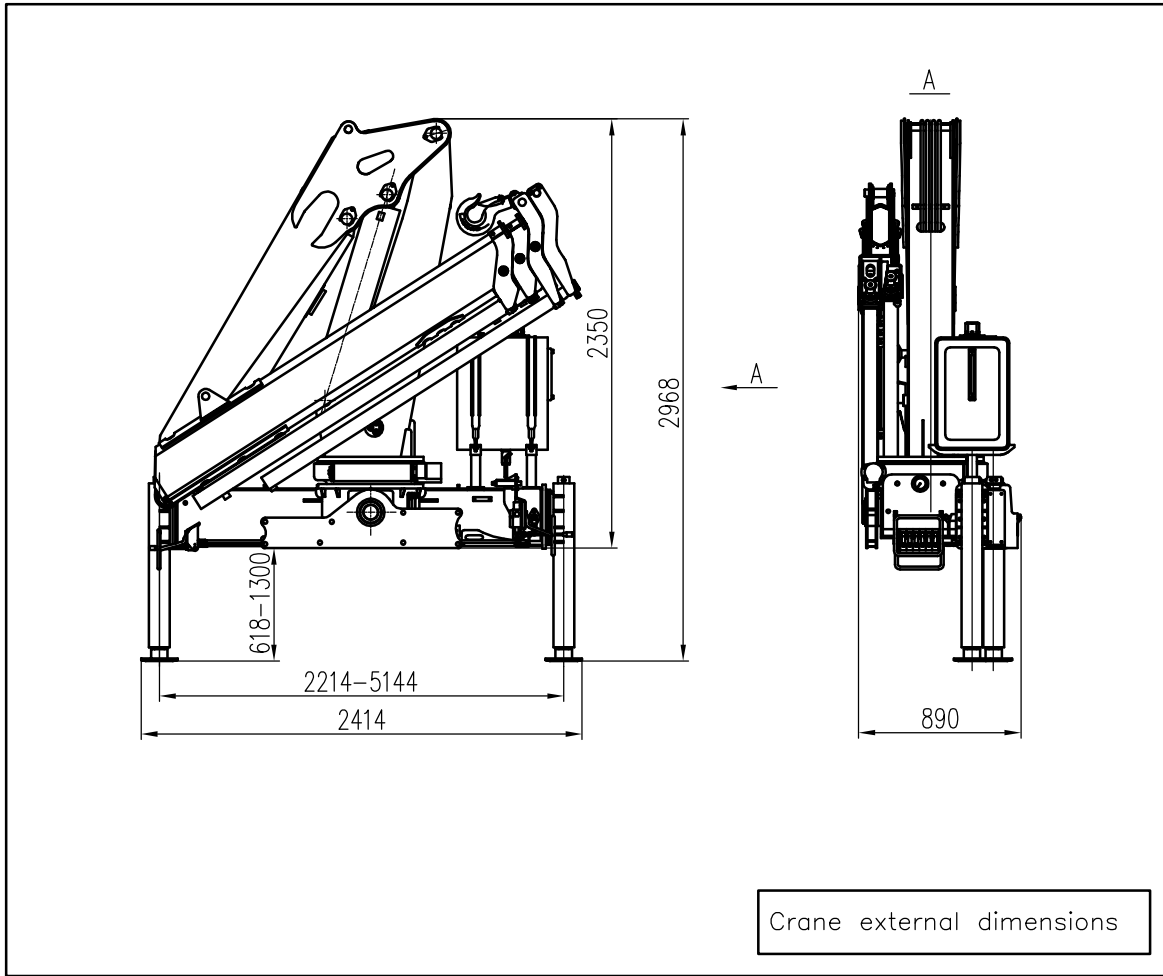




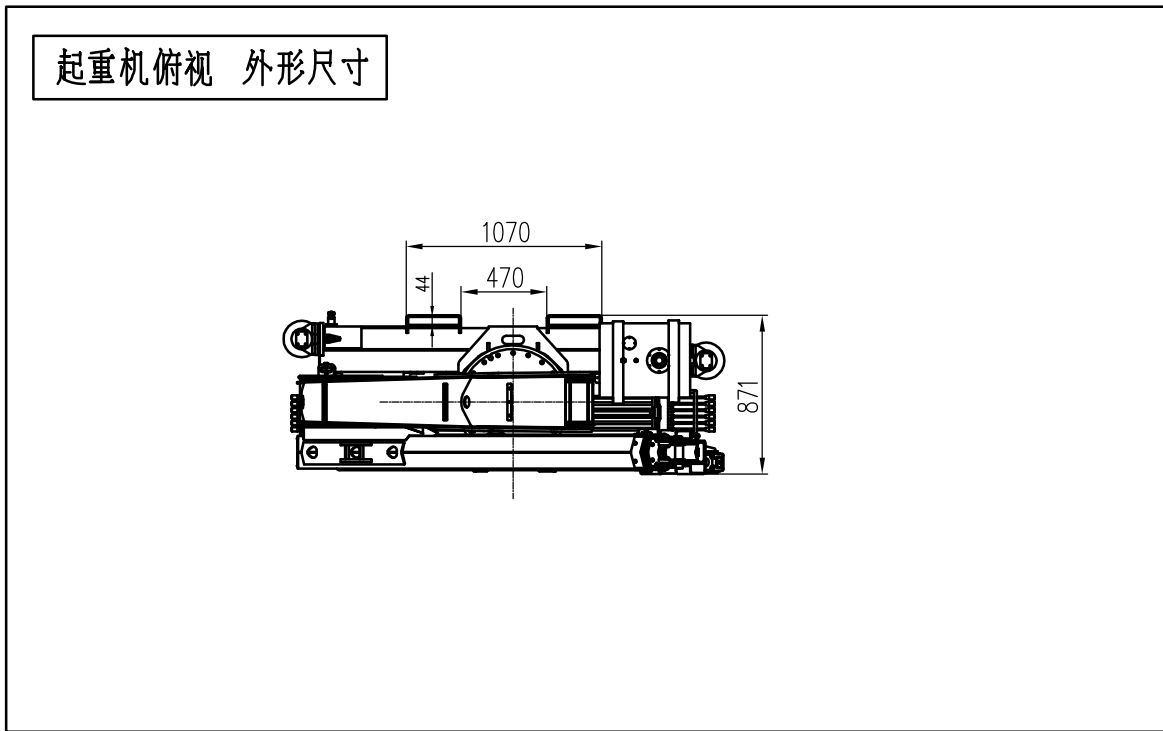
LOADING CURVE

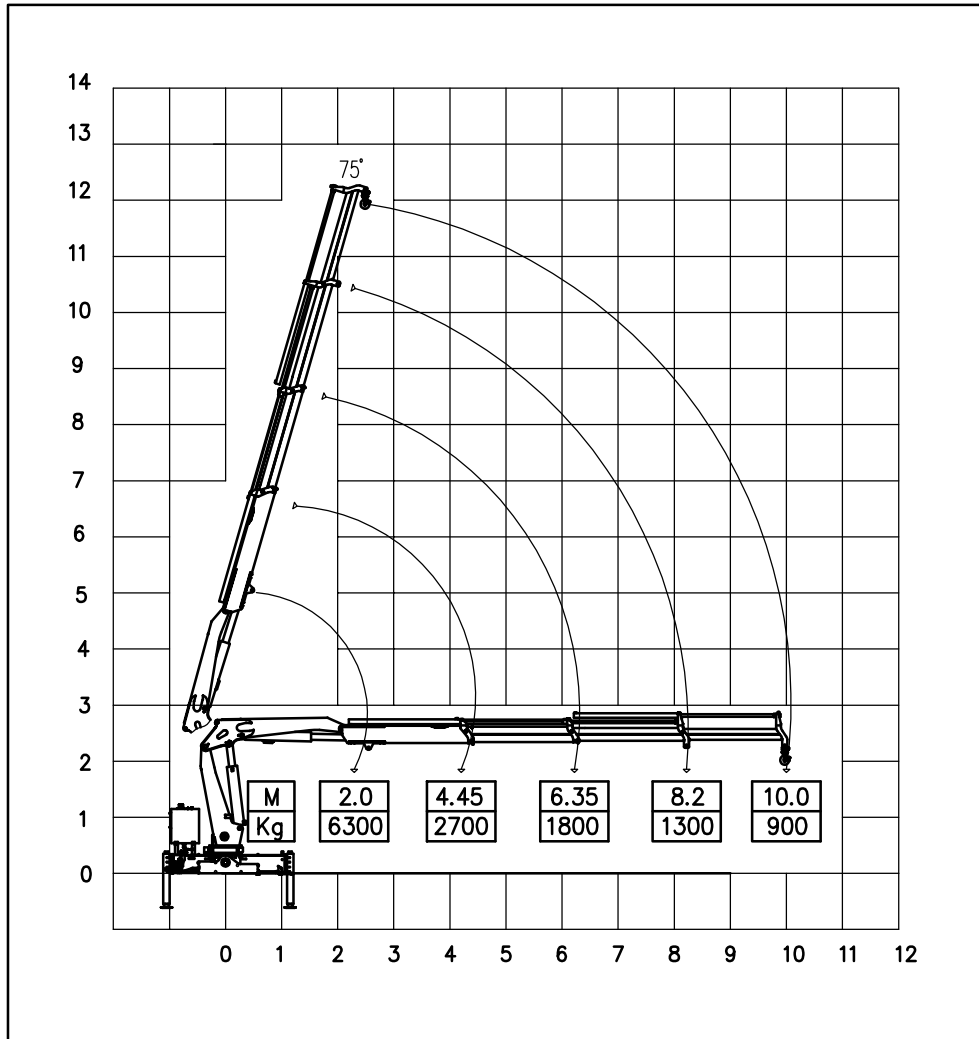
Crane main technical parameters

Maximun Lifting weight	6300Kg	Oil tank capacity	100L
Max lifting movement	12.6 t.m	Slewing angle	400°
Recommended power	20KW	Hydrauc Crane weight	2250Kg
Recommended hydraulic flow	40 L/min	Installation space	1070mm
Rated hydraulic pressure	28MPa		



起重机俯视图 外形尺寸

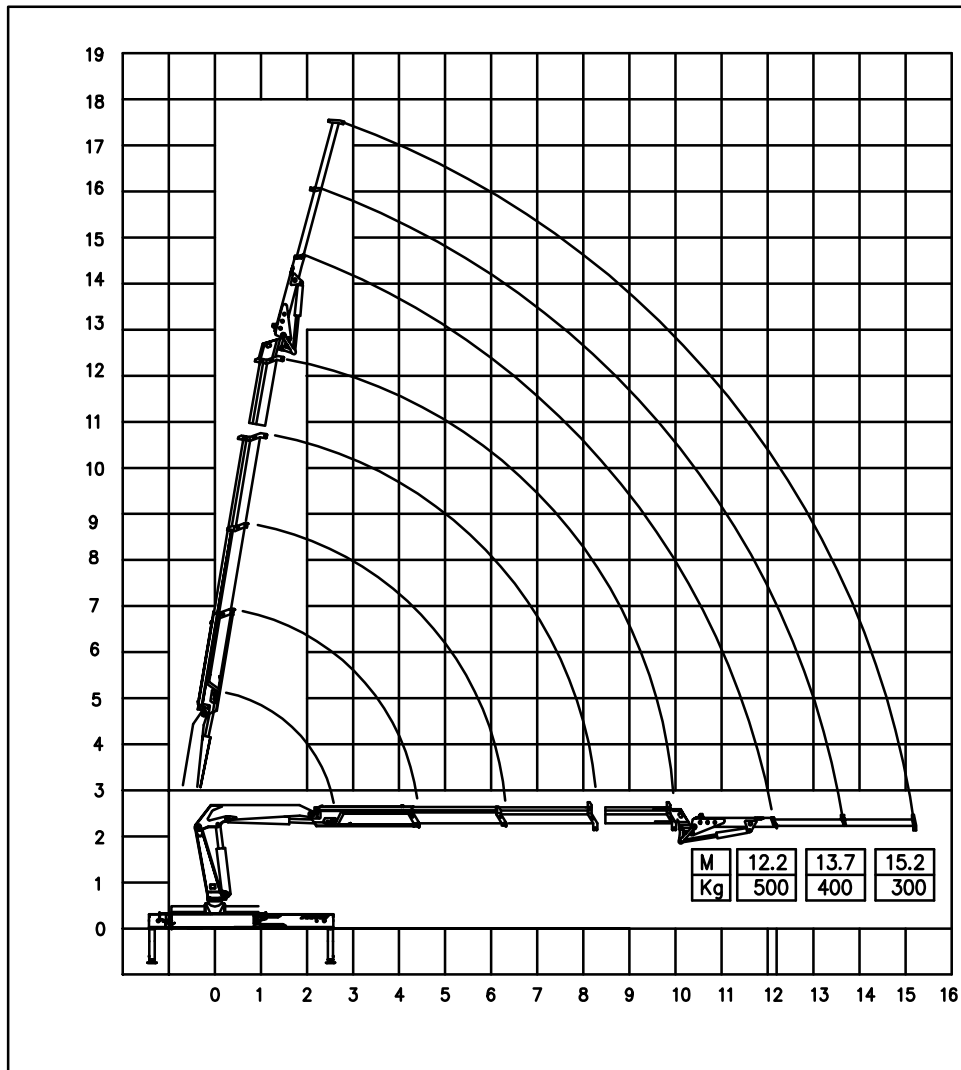




LOADING CURVE

Crane main technical parameters

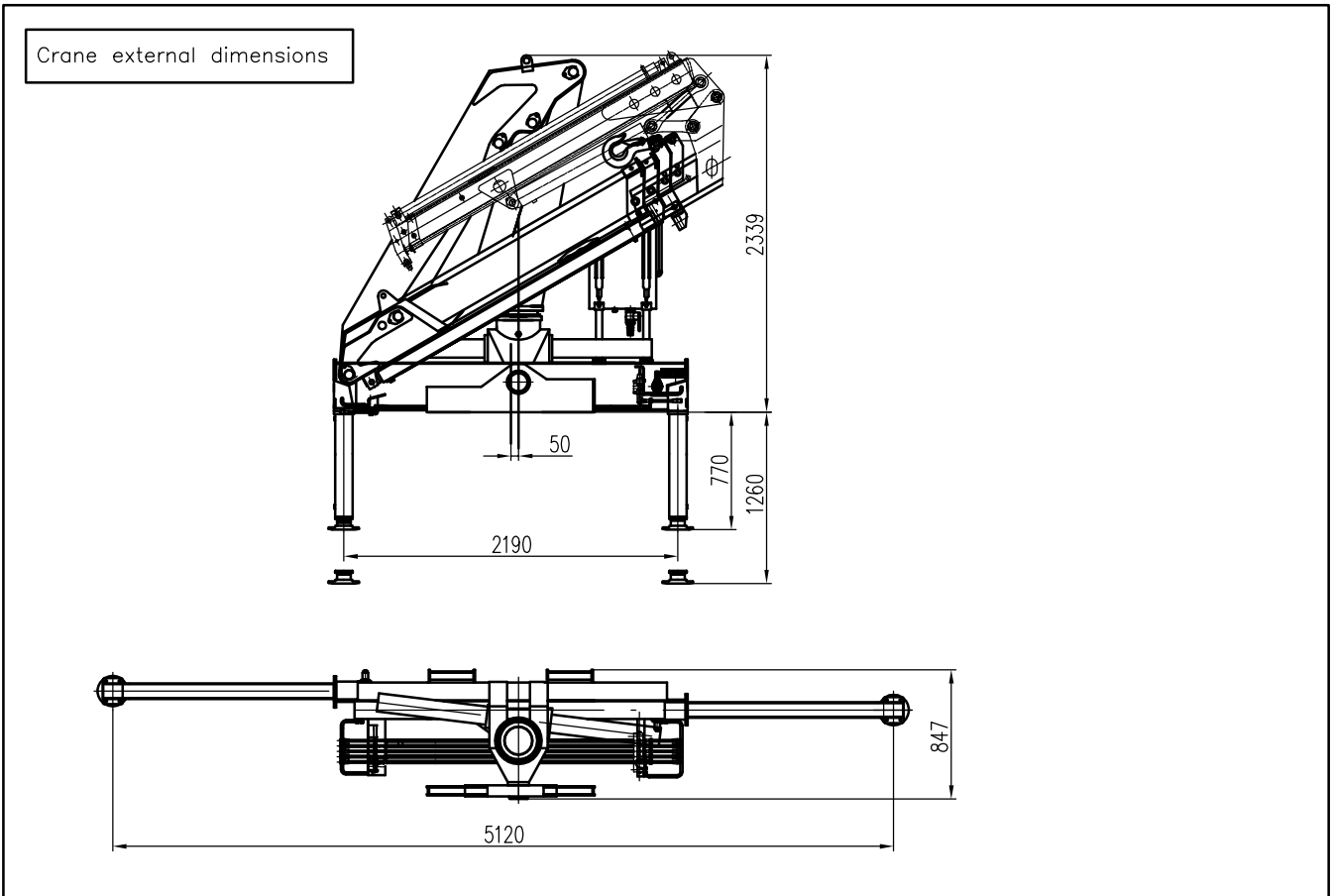
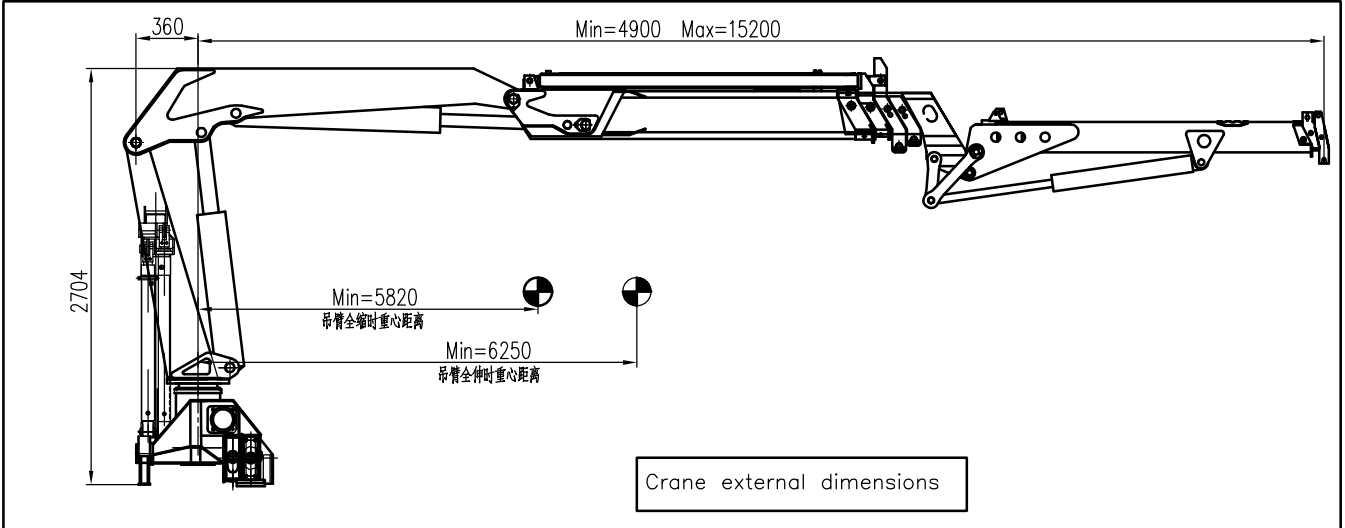
Maximun Lifting weight	6300Kg	Oil tank capacity	100L
Max lifting movement.	12.6 t.m	Slewing angle	360°
Recommended power	30KW	Hydraulic Crane weight	2300Kg
Maximum hydraulic flow	40 L/min	Installation space	1050mm
Rated hydraulic pressure	28MPa	Slewing pressure	≥20MPa

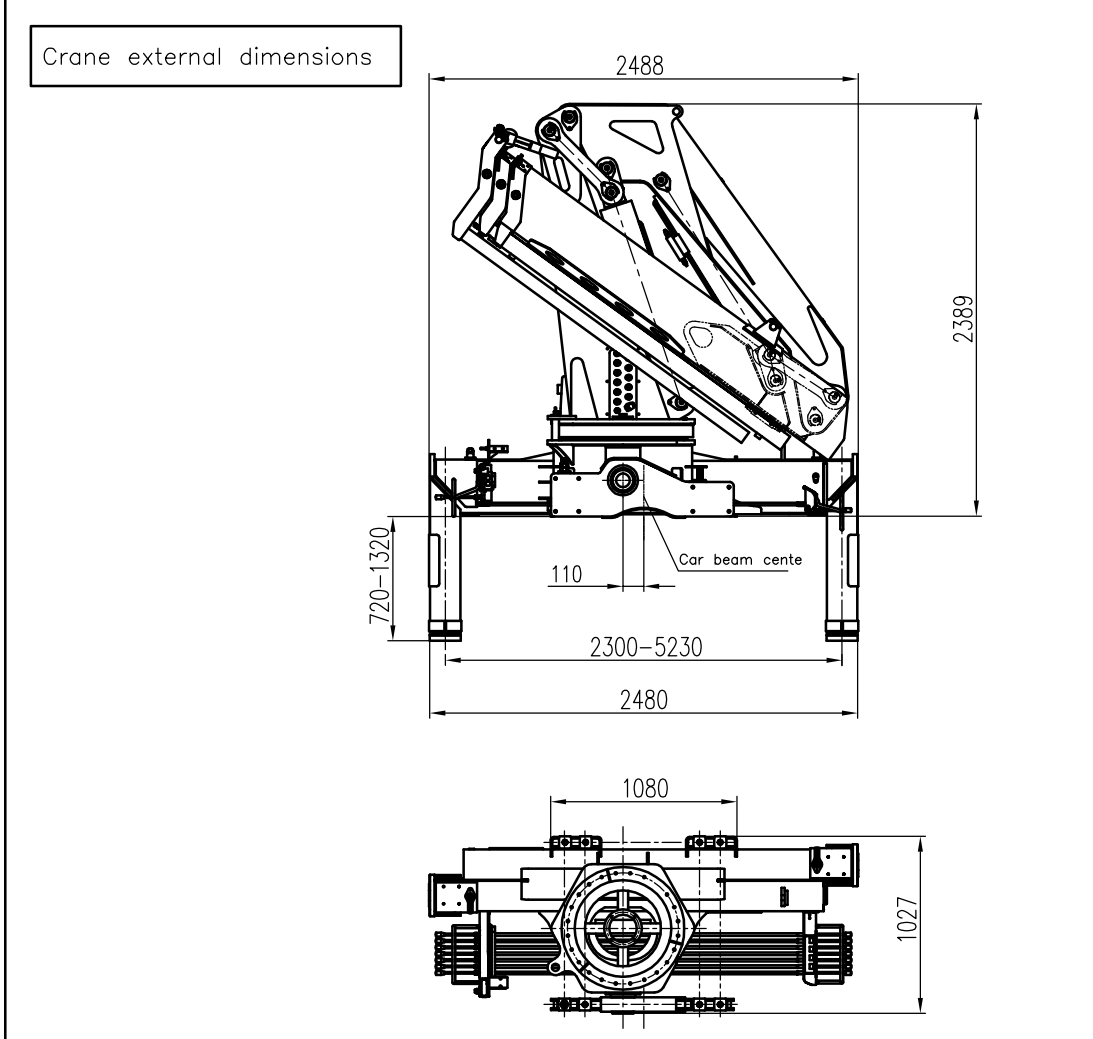
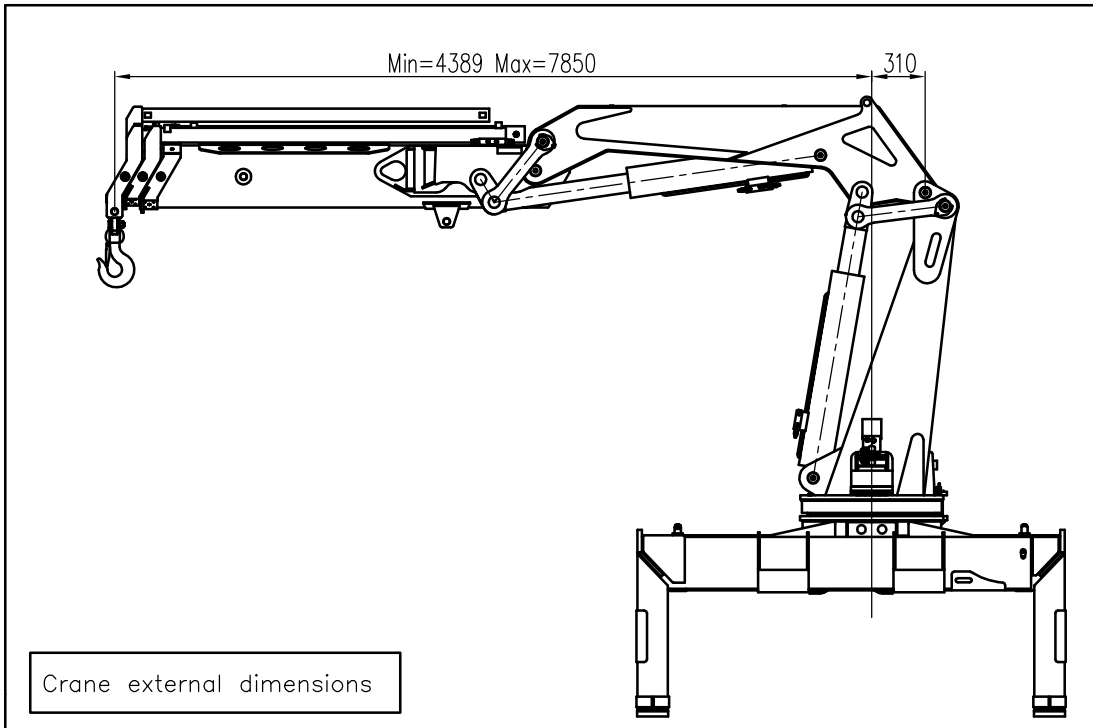


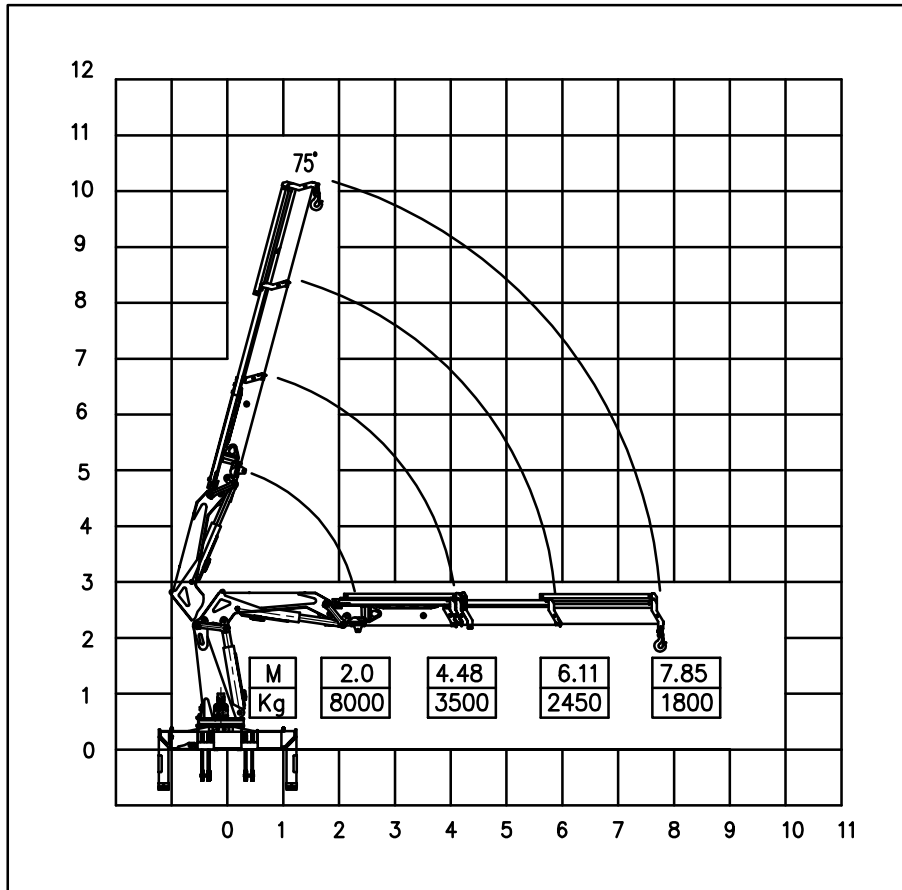
LOADING CURVE

Crane main technical parameters

Maximun Lifting weight	6300Kg	Oil tank capacity	100L
Max lifting movement	12.6 t.m	Slewing angle	400°
Recommended power	20KW	Hydraulic Crane weight	2550Kg
Recommended hydraulic flow	40 L/min	Installation space	1070mm(如加上车座椅<1300)
Rated hydraulic pressure	28MPa		



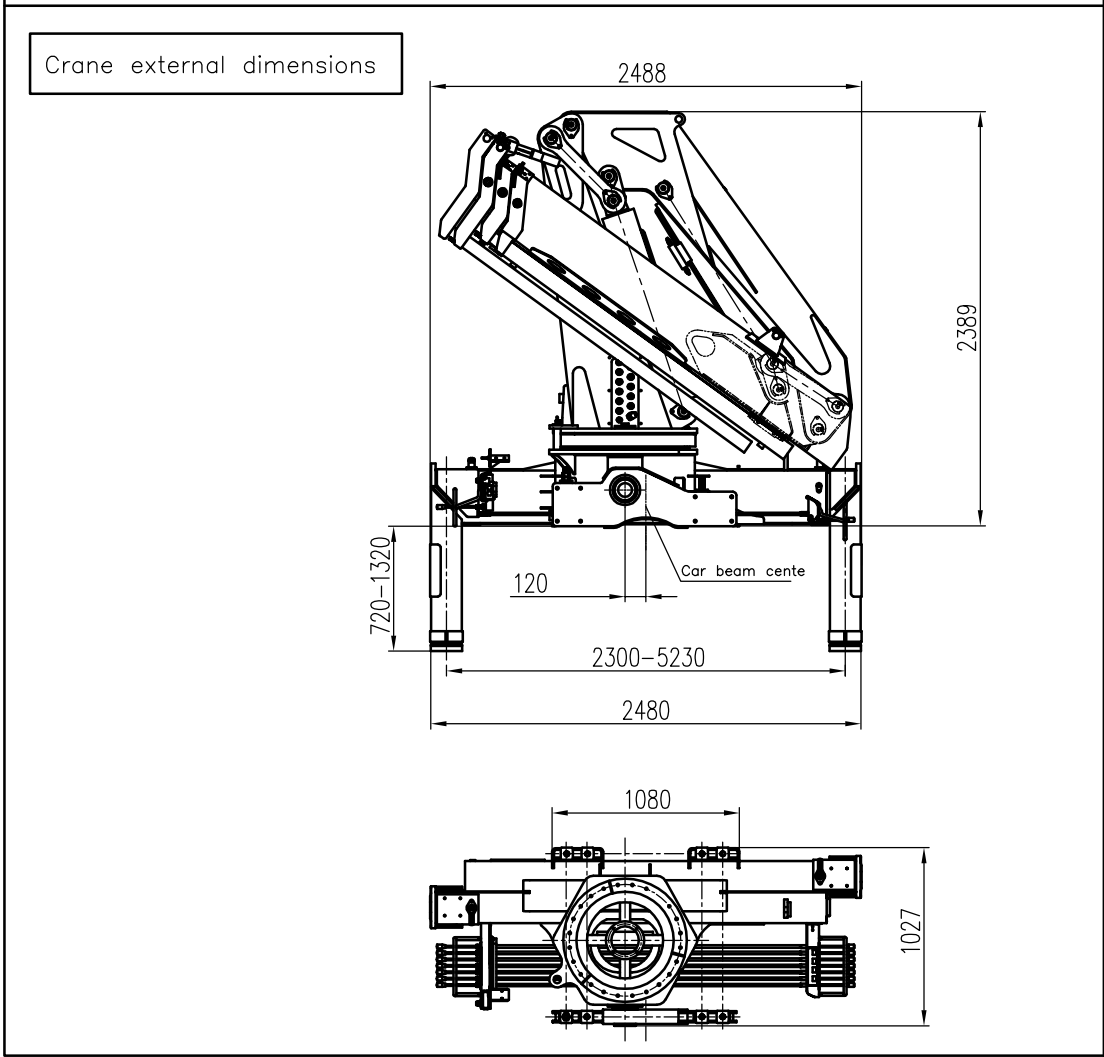
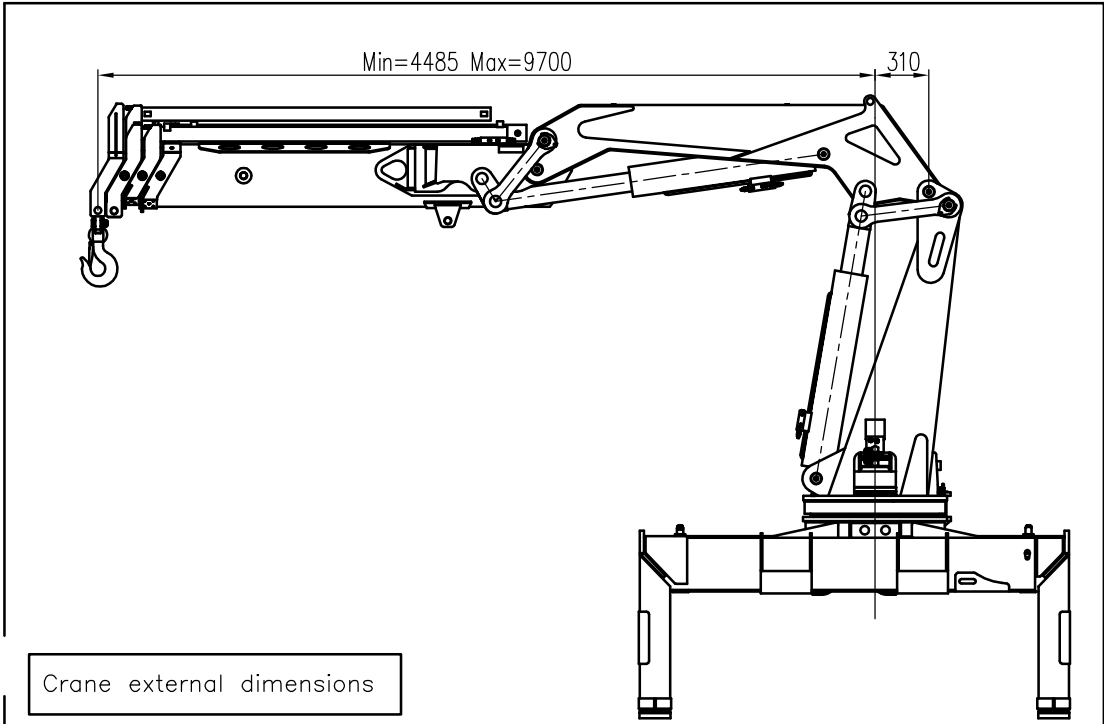


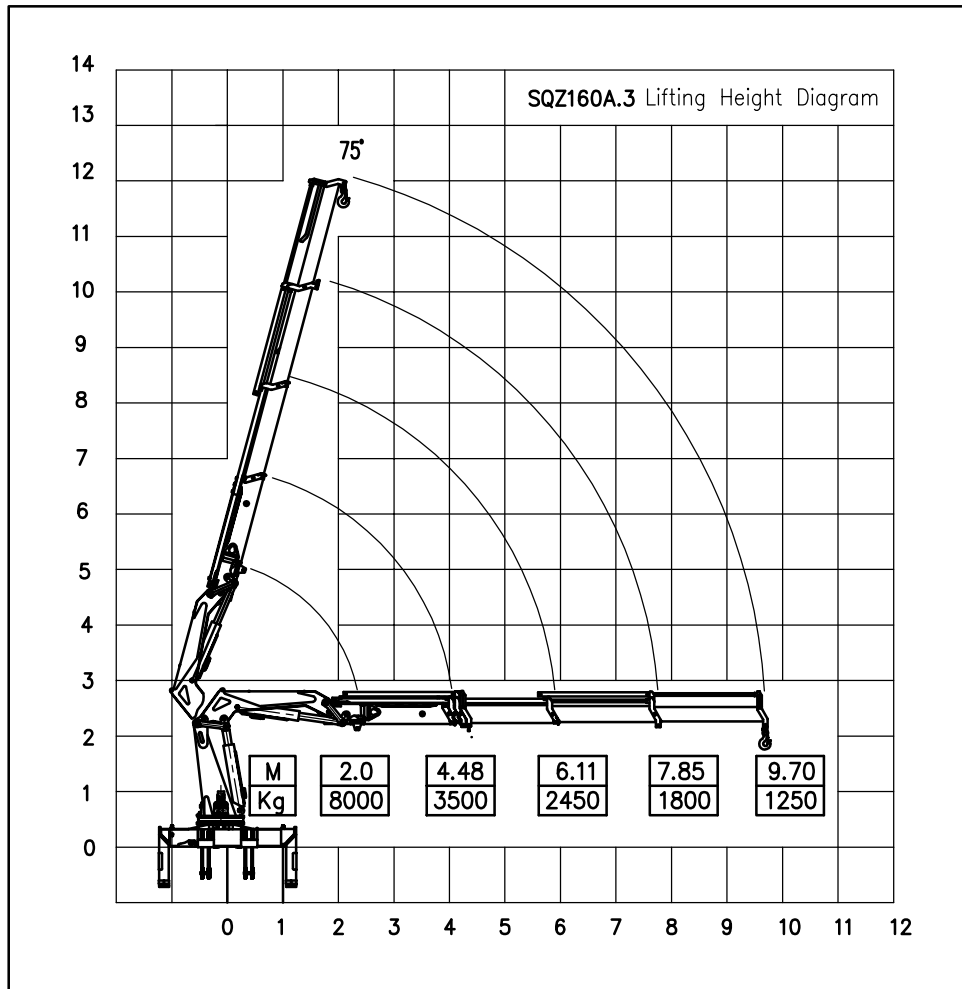


LOADING CURVE

Crane main technical parameters

Maximun Lifting weight	8000Kg	Oil tank capacity	150L
Max lifting movement	16 t.m	Slewing angle	360°
Recommended power	30KW	Hydraulic Crane weight	2730Kg
Recommended hydraulic flow	45 L/min	Installation space	1200mm
Rated hydraulic pressure	28MPa		

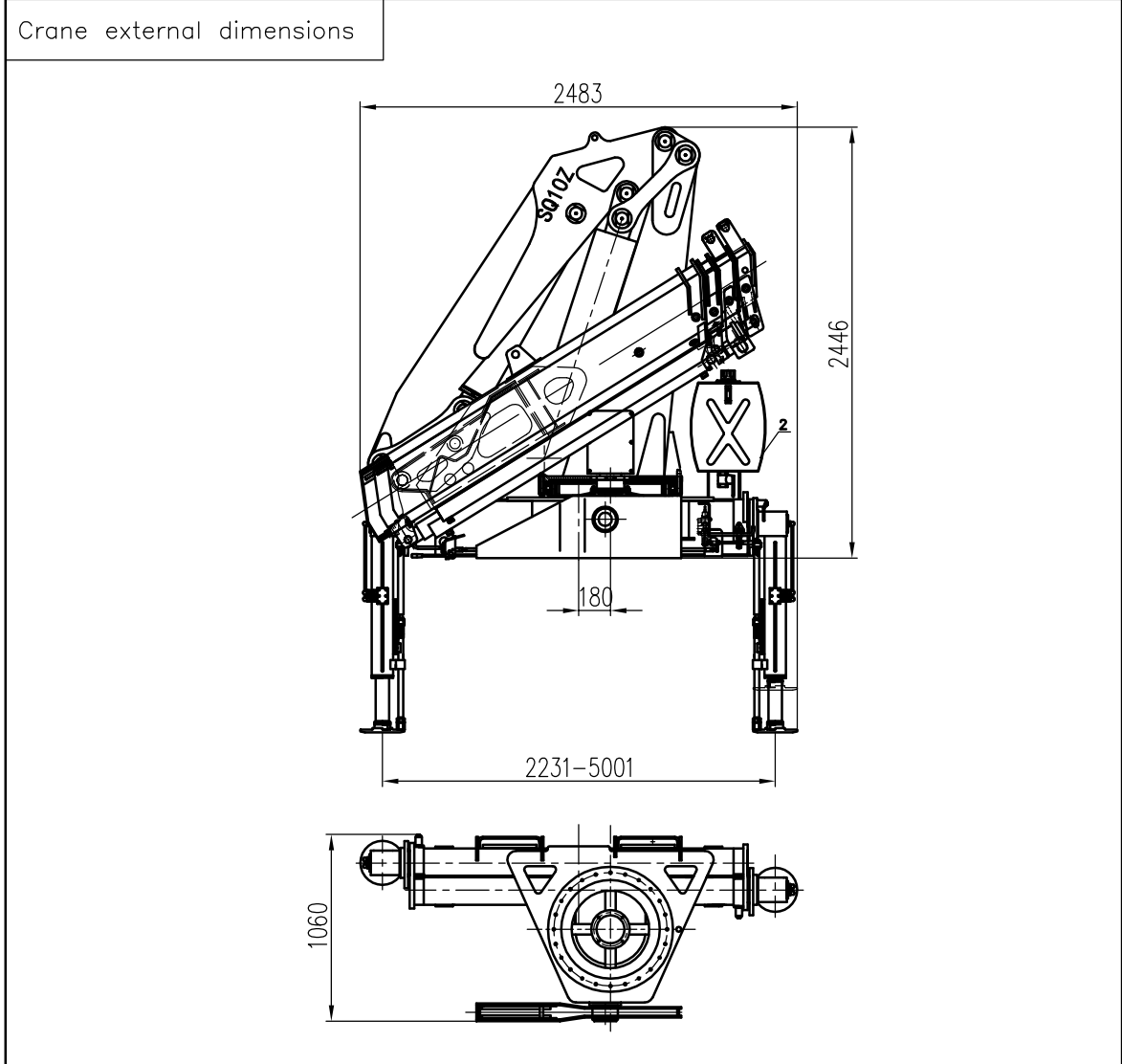
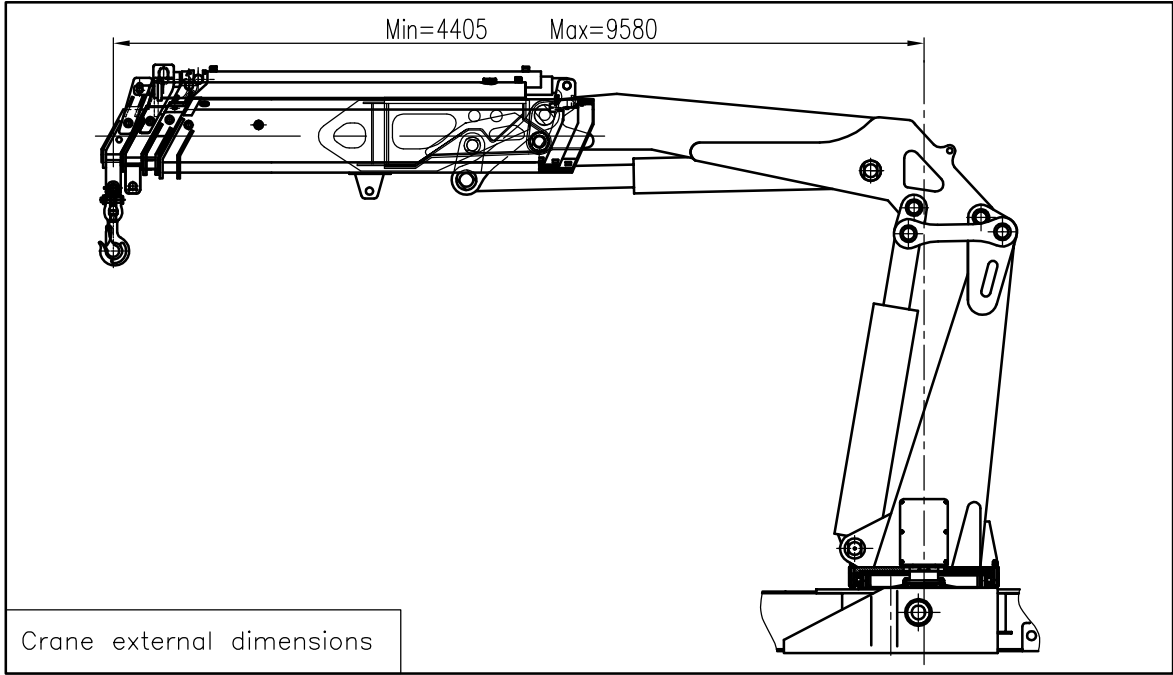


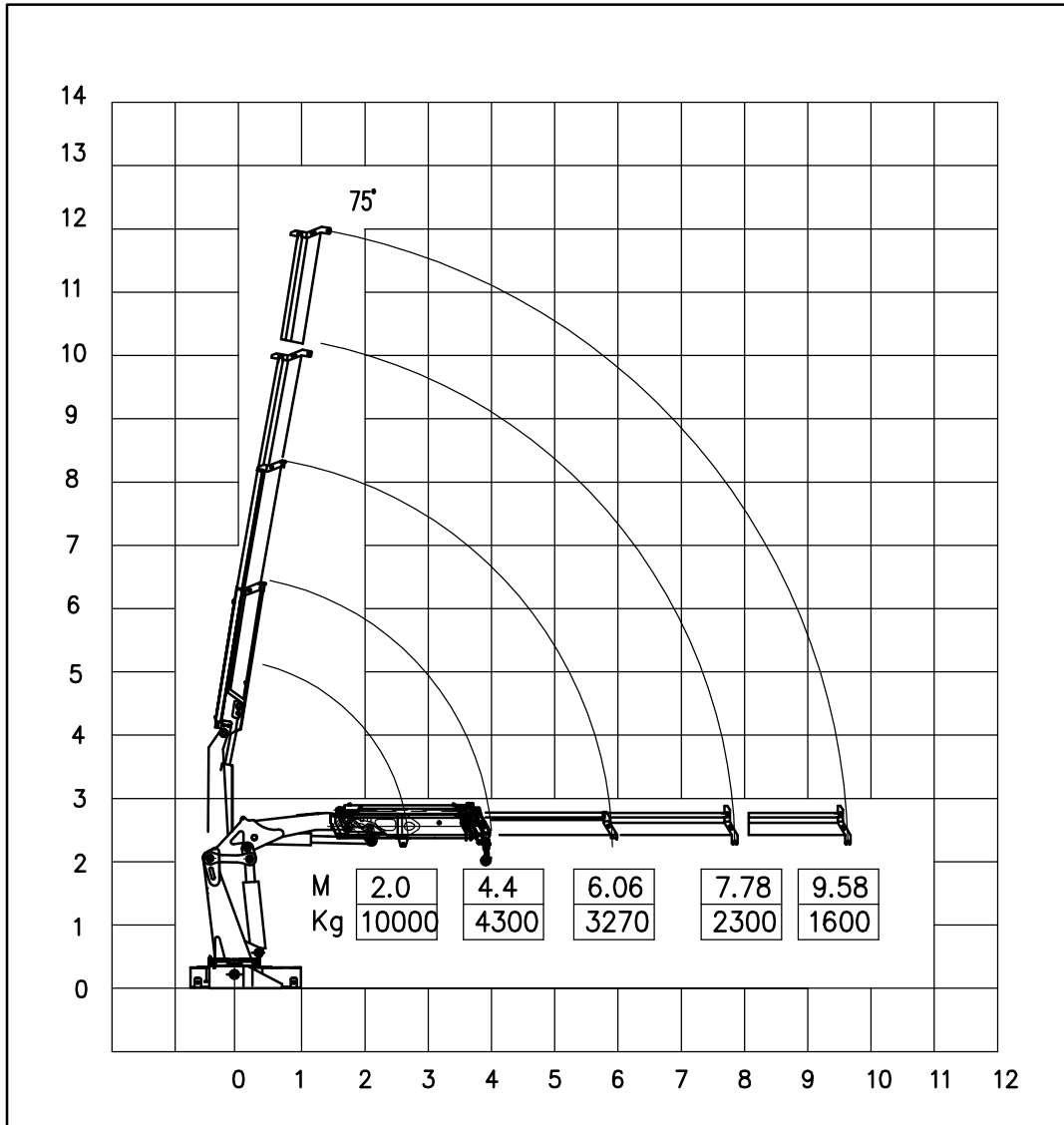


LOADING CURVE

Crane main technical parameters

Maximun Lifting weight	8000Kg	Oil tank capacity	150L
Max lifting movement	16 t.m	Slewing angle	360°
Recommended power	30KW	Hydraulic Crane weight	2970Kg
Recommended hydraulic flow	45 L/min	Installation space	1200mm
Rated hydraulic pressure	28MPa		

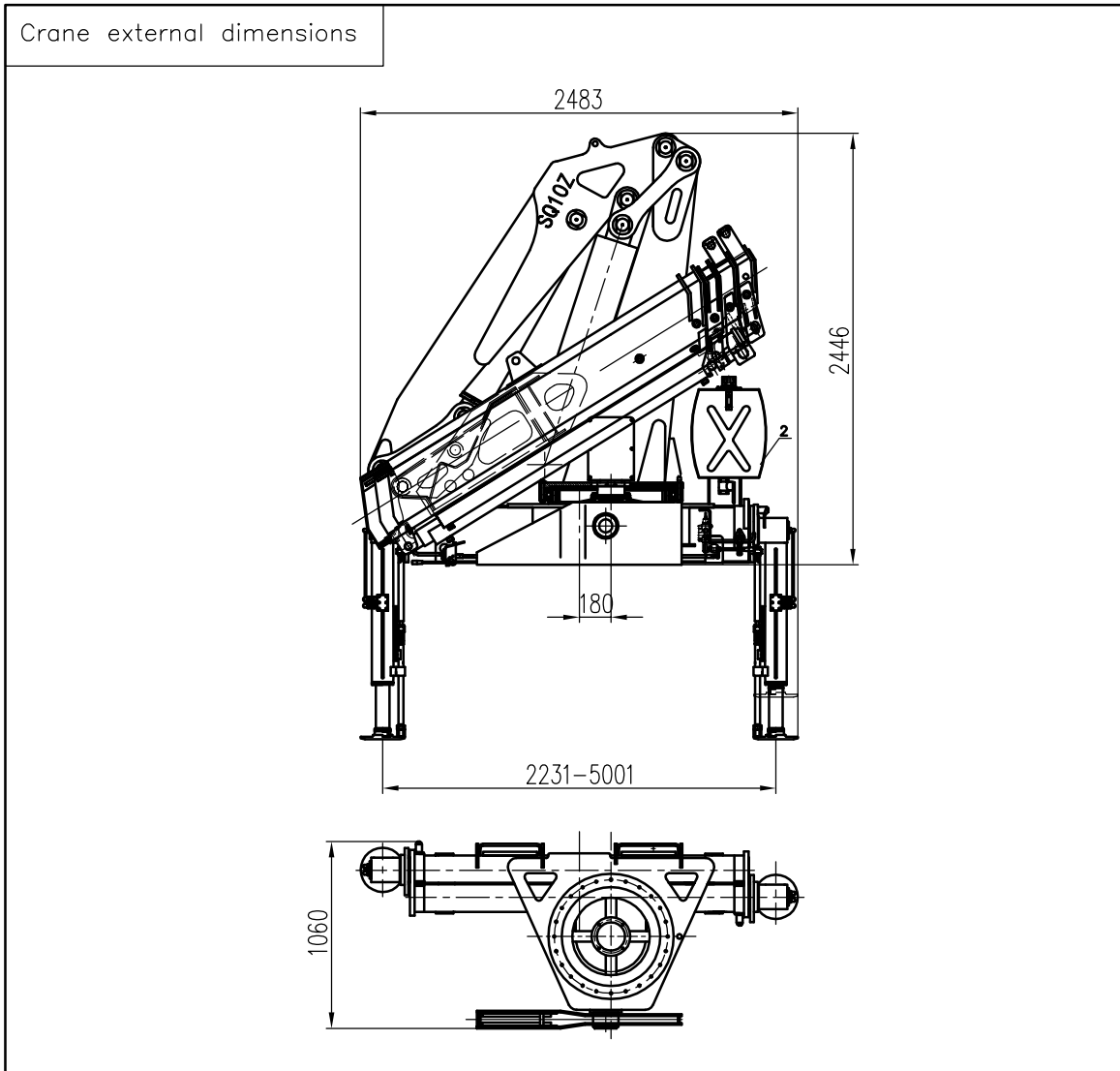
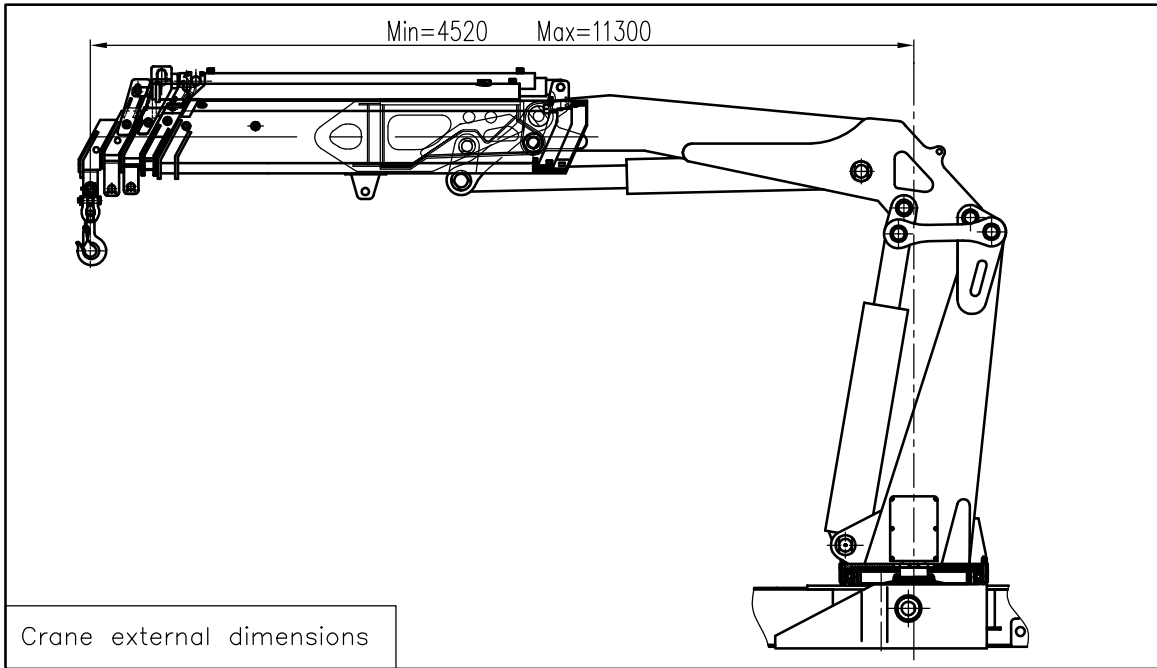


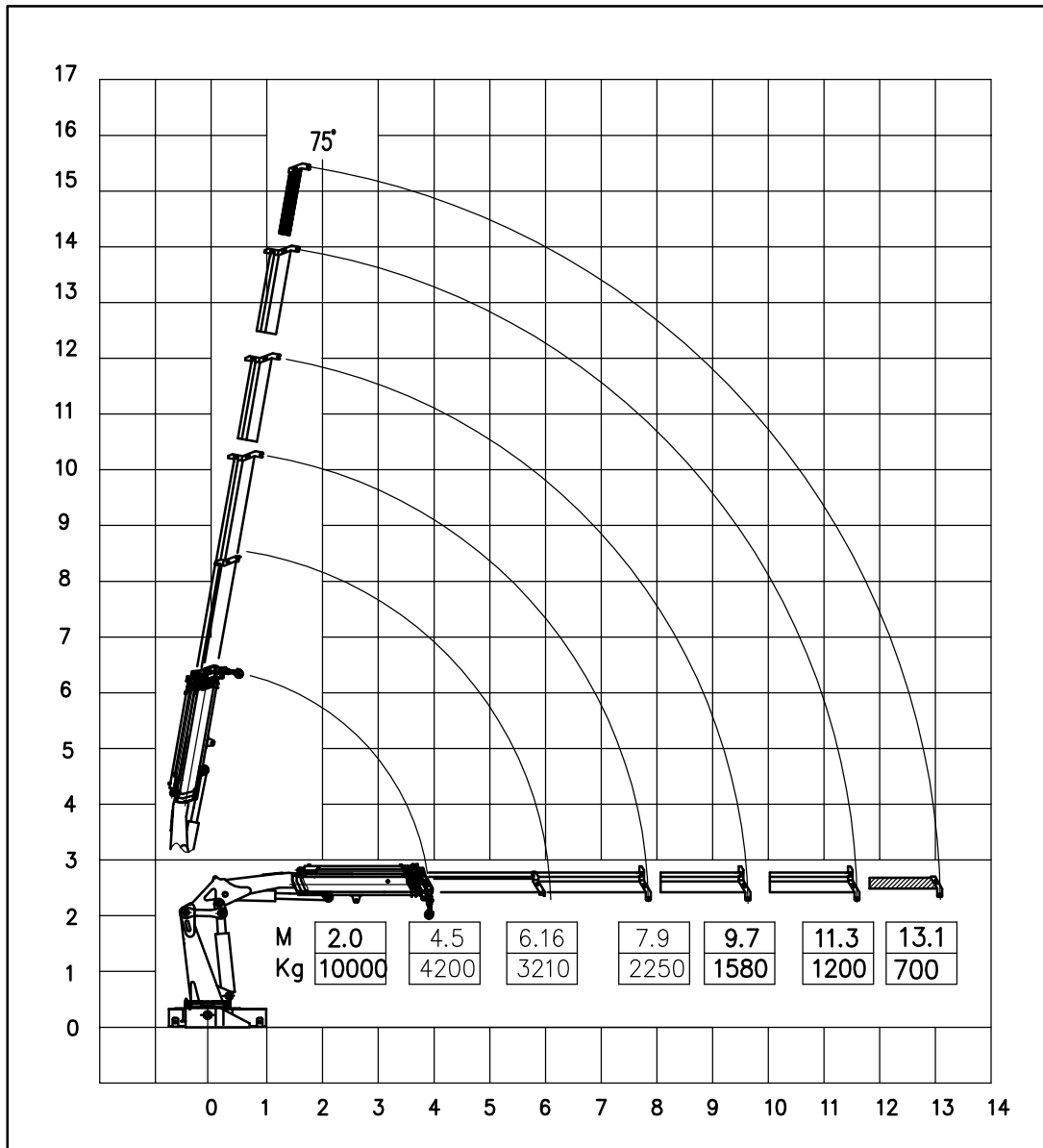


LOADING CURVE

Crane main technical parameters

Maximun Lifting weight	10000Kg	Oil tank capacity	150L
Max lifting movement	20 t.m	Slewing angle	360°
Recommended power	30KW	Hydraic Crane weight	3800Kg
Maximun hydraulic flow	60 L/min	Installation space	1200mm
Rated hydraulic pressure	28MPa		

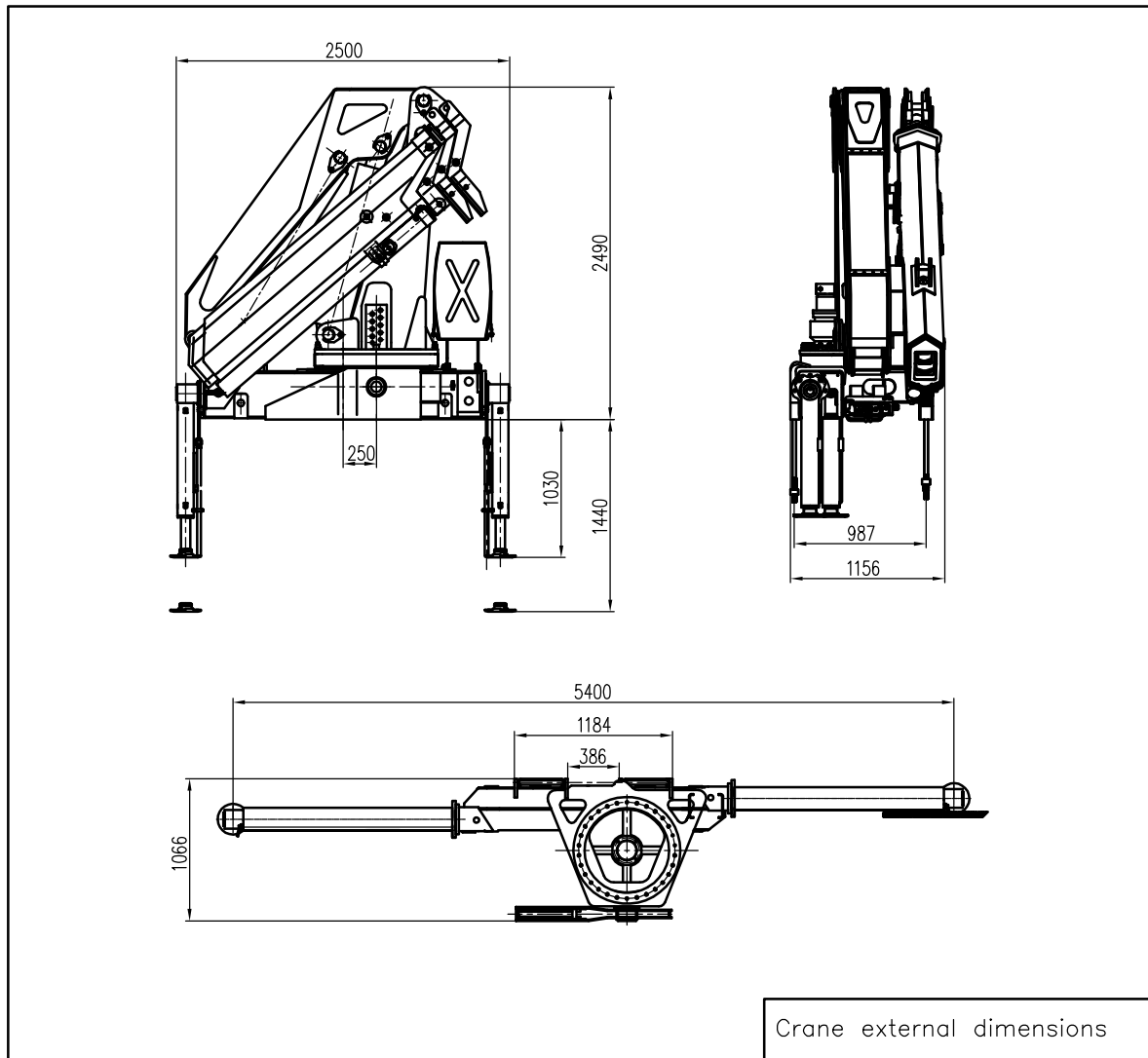
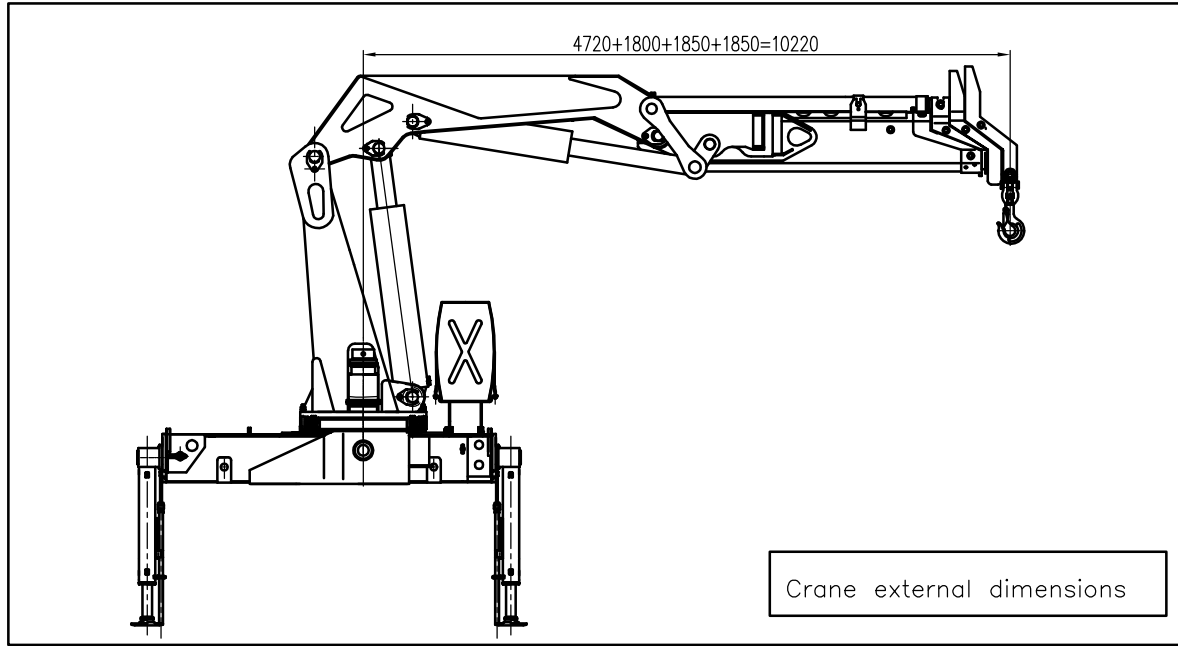


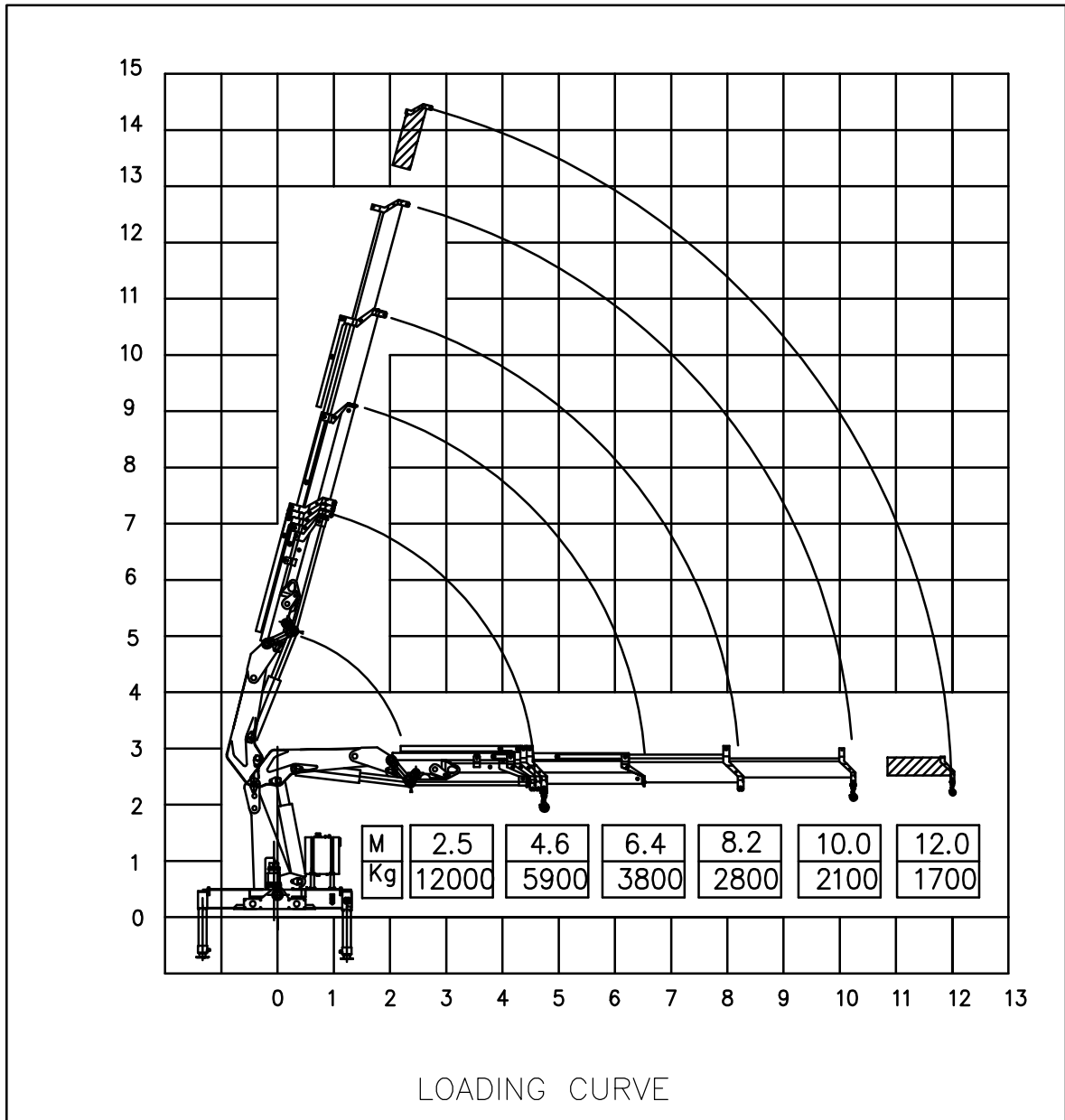


LOADING CURVE

Crane main technical parameters

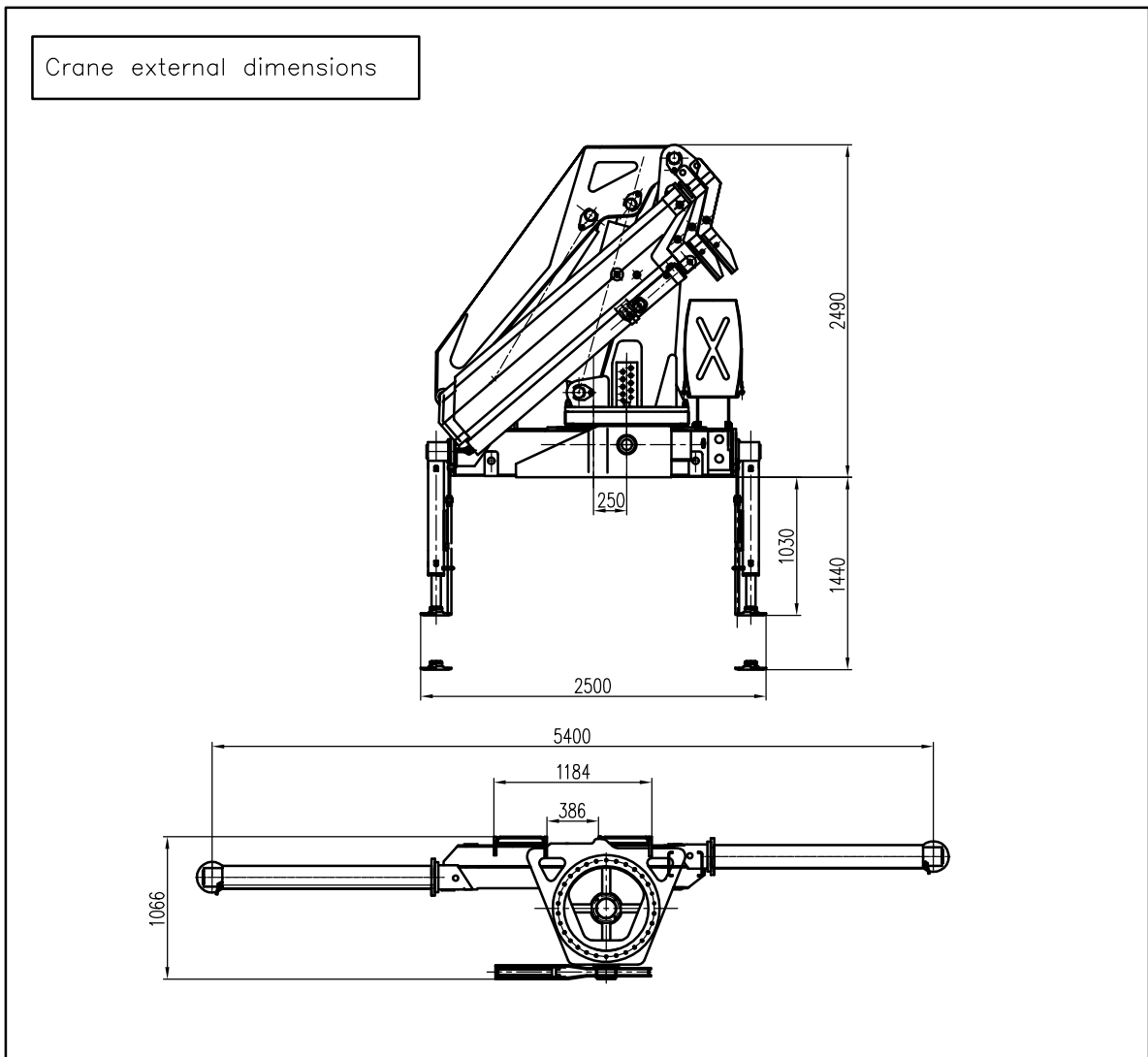
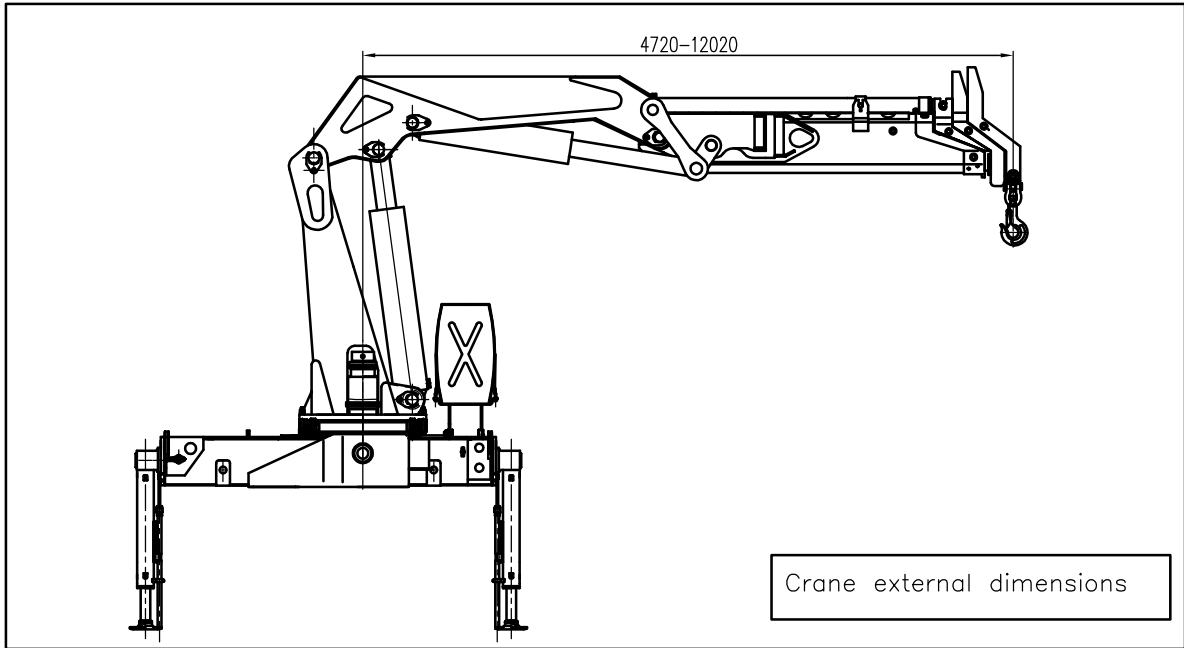
Maximun Lifting weight	10000Kg	Oil tank capacity	150L
Max lifting movement	20 t.m	Slewing angle	360'
Recommended power	30KW	Hydraucic Crane weight	3900Kg
Maximun hydraulic flow	60 L/min	Installation space	1200mm
Rated hydraulic pressure	28MPa		

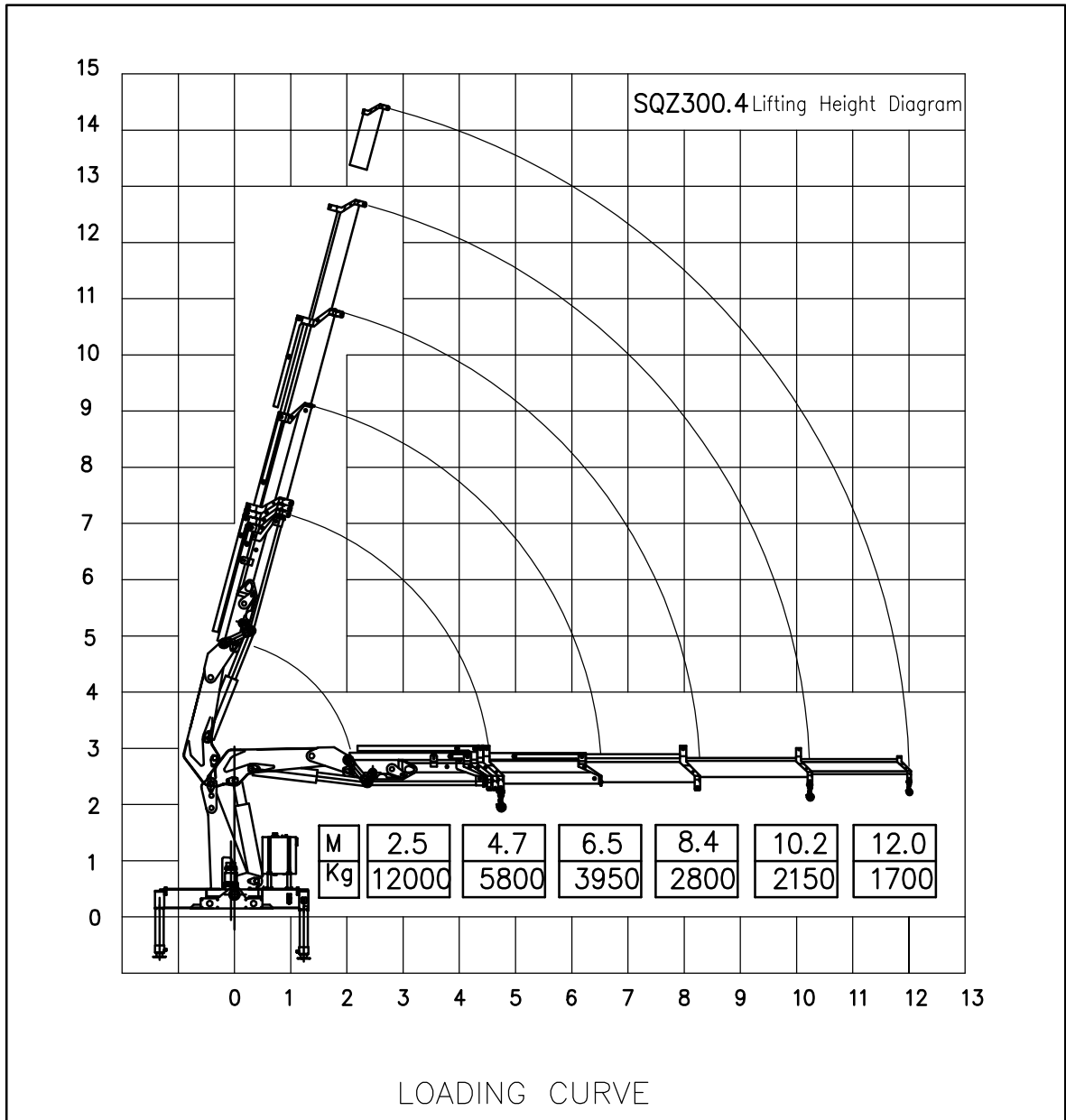




Crane main technical parameters

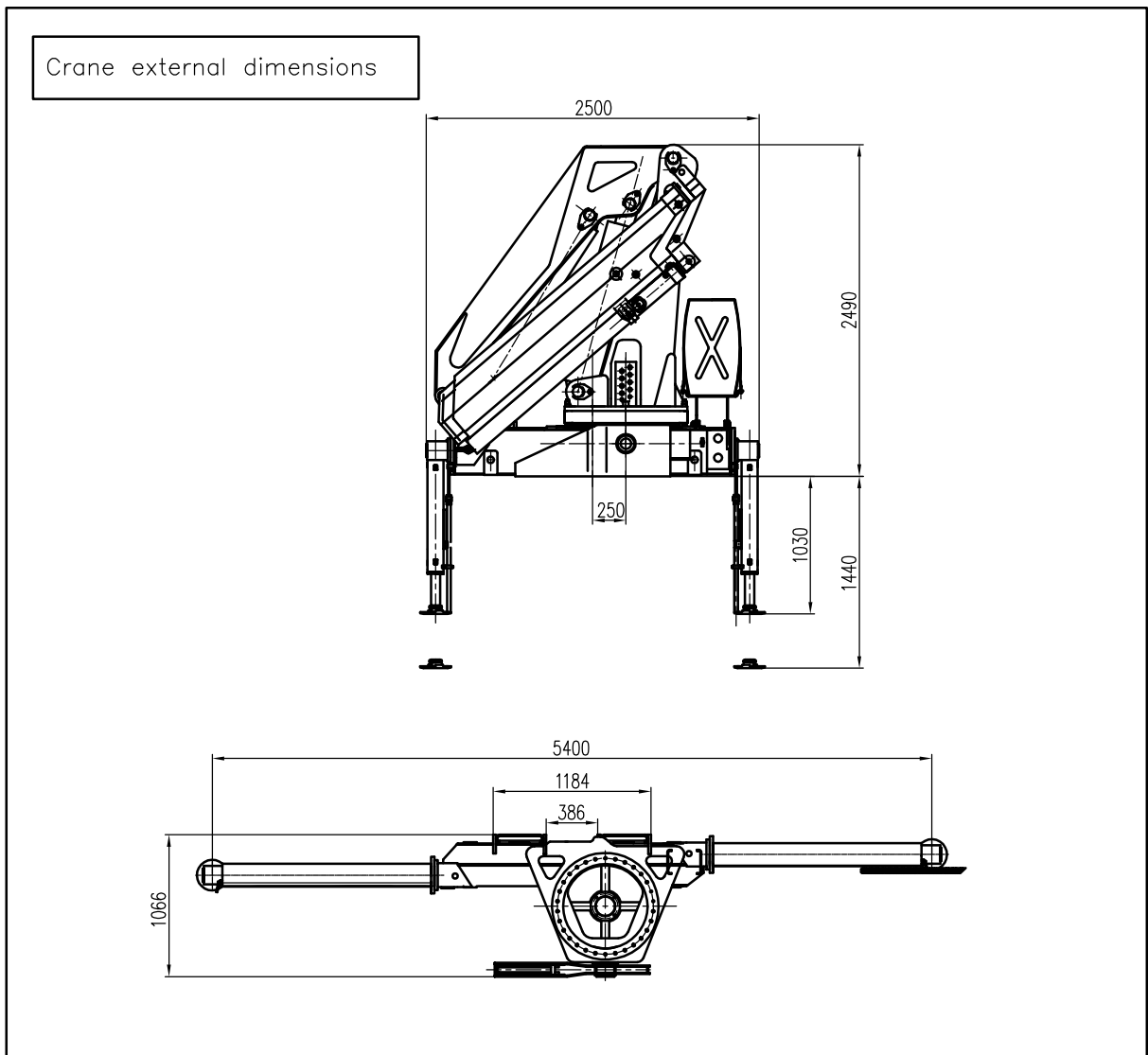
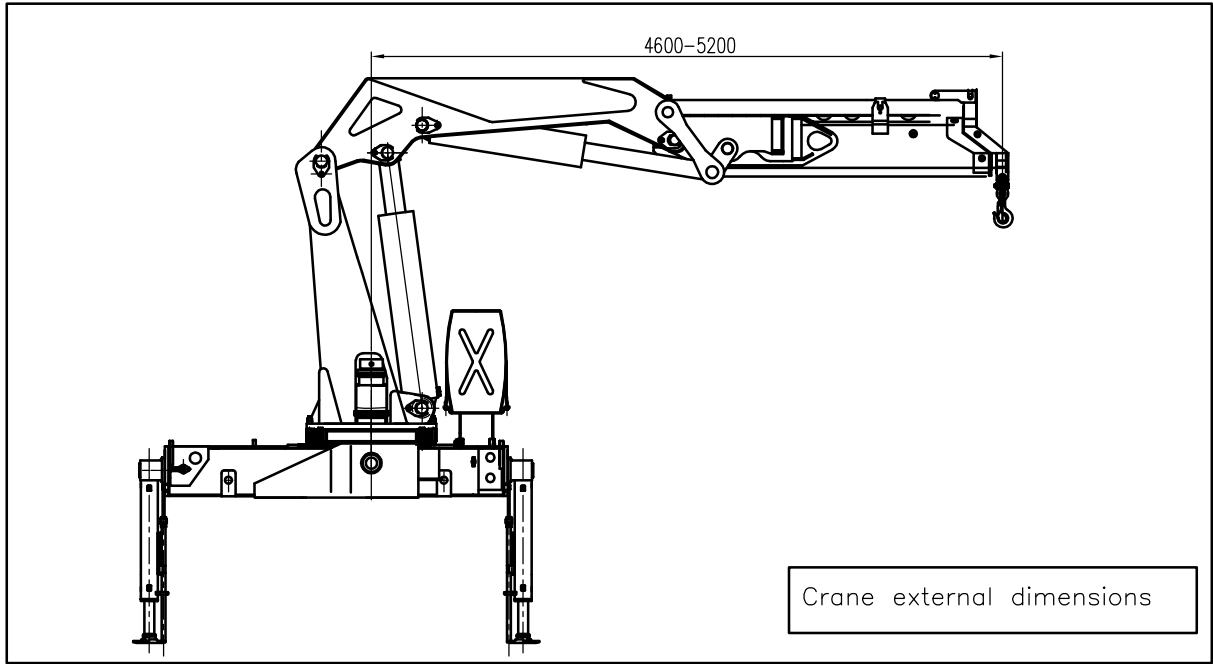
Maximun Lifting weight	12000Kg	Oil tank capacity	180L
Max lifting movement	30 t.m	Slewing angle	Slewing angle 360°
Recommended power	35KW	Hydraulic Crane weight	4320Kg
Recommended hydraulic flow	50 L/min	Installation space	1300mm
Rated hydraulic pressure	28MPa		

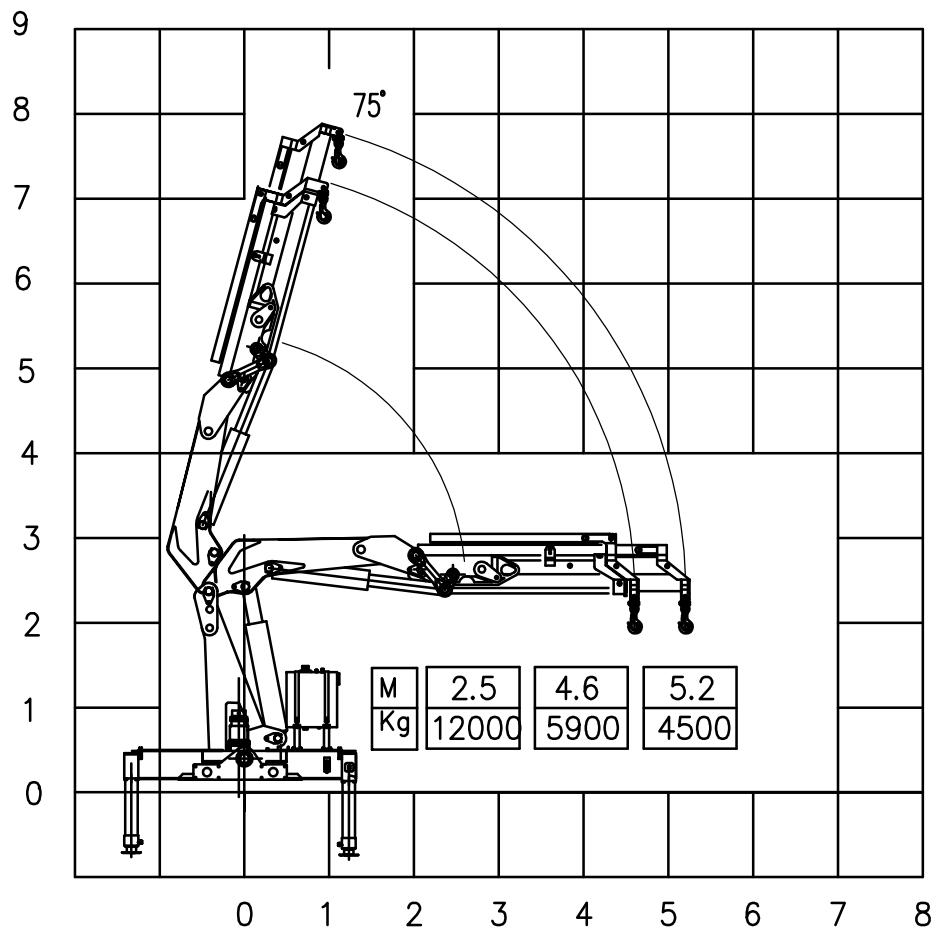




Crane main technical parameters

Maximun Lifting weight	12000Kg	Oil tank capacity	180L
Max lifting movement	30 t.m	Slewing angle	Slewing angle 360°
Recommended power	30KW	Hydraulic Crane weight	4450Kg
Recommended hydraulic flow	50 L/min	Installation space	1300mm
Rated hydraulic pressure	28MPa		

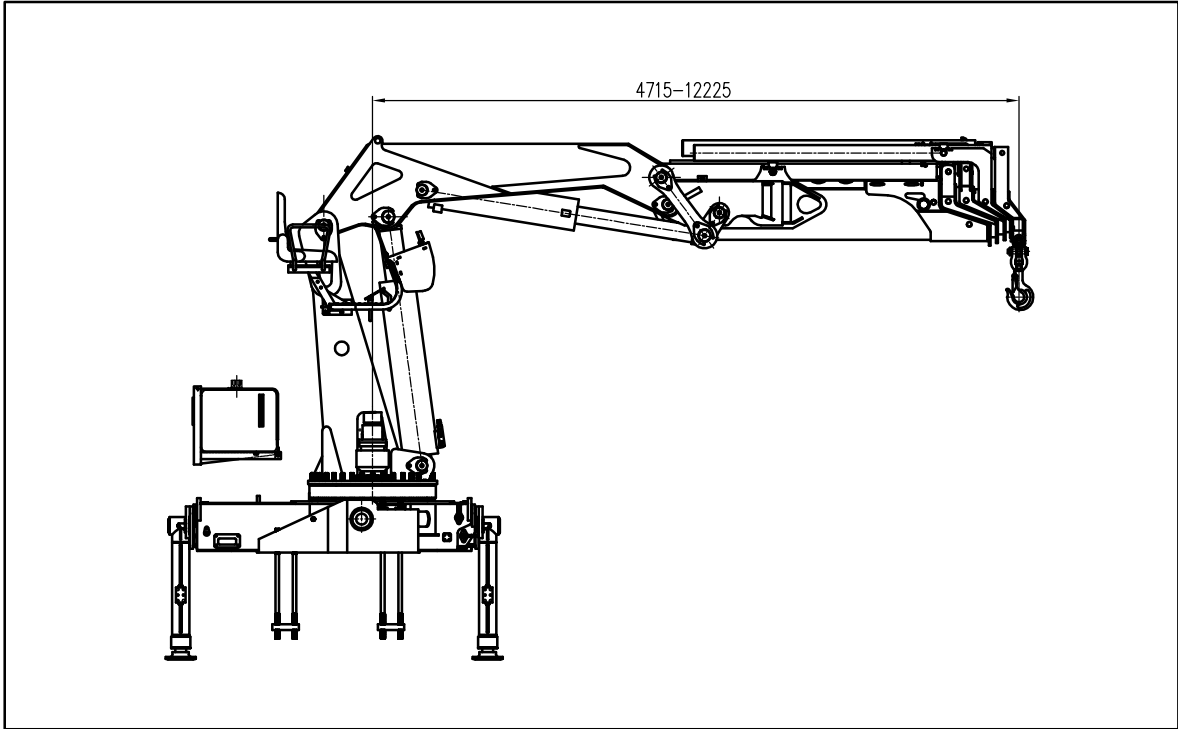




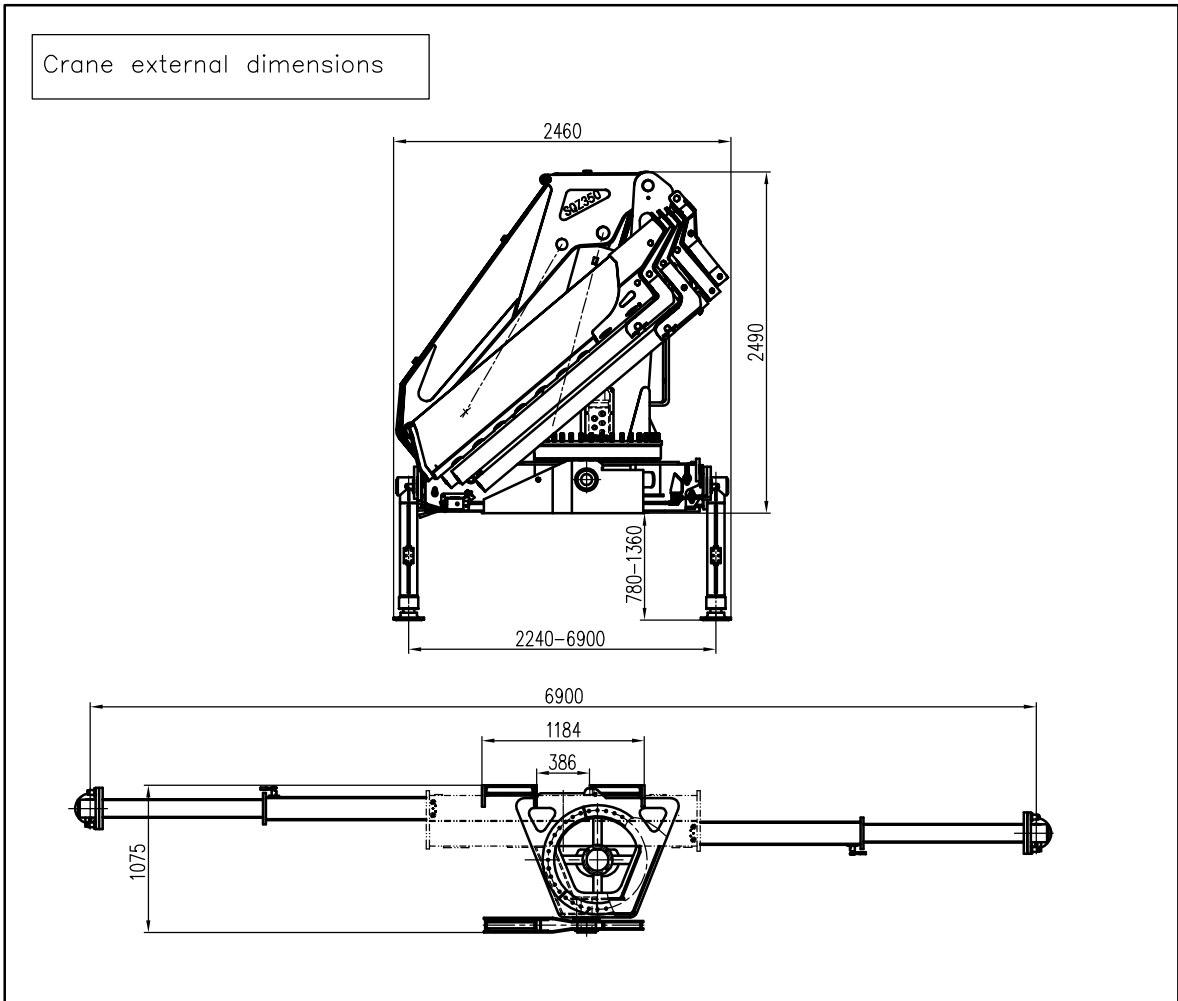
LOADING CURVE

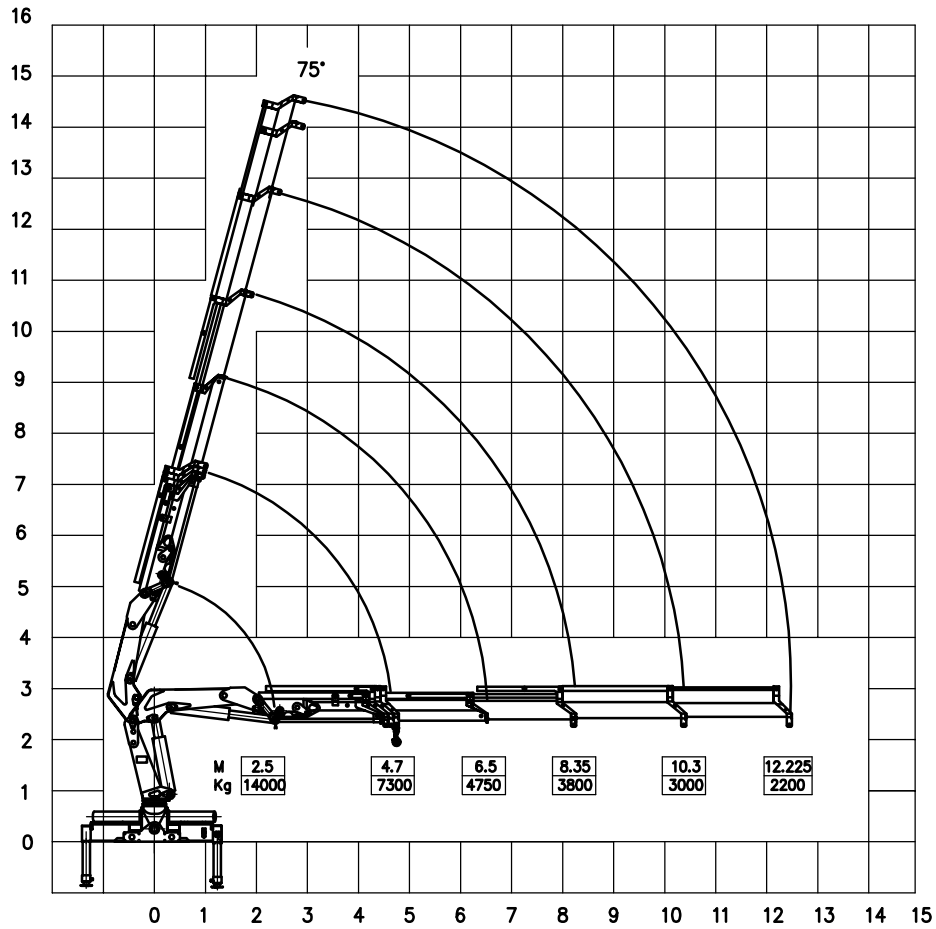
Crane main technical parameters

Maximun Lifting weight	12000Kg	Oil tank capacity	180L
Max lifting movement	30 t.m	Slewing angle	Slewing angle 360°
Recomended power	35KW	Hydraic Crane weight	4220Kg
Recomended hydraulic flow	50 L/min	Installation space	1300mm
Rated hydraulic pressure	28MPa		



Crane external dimensions



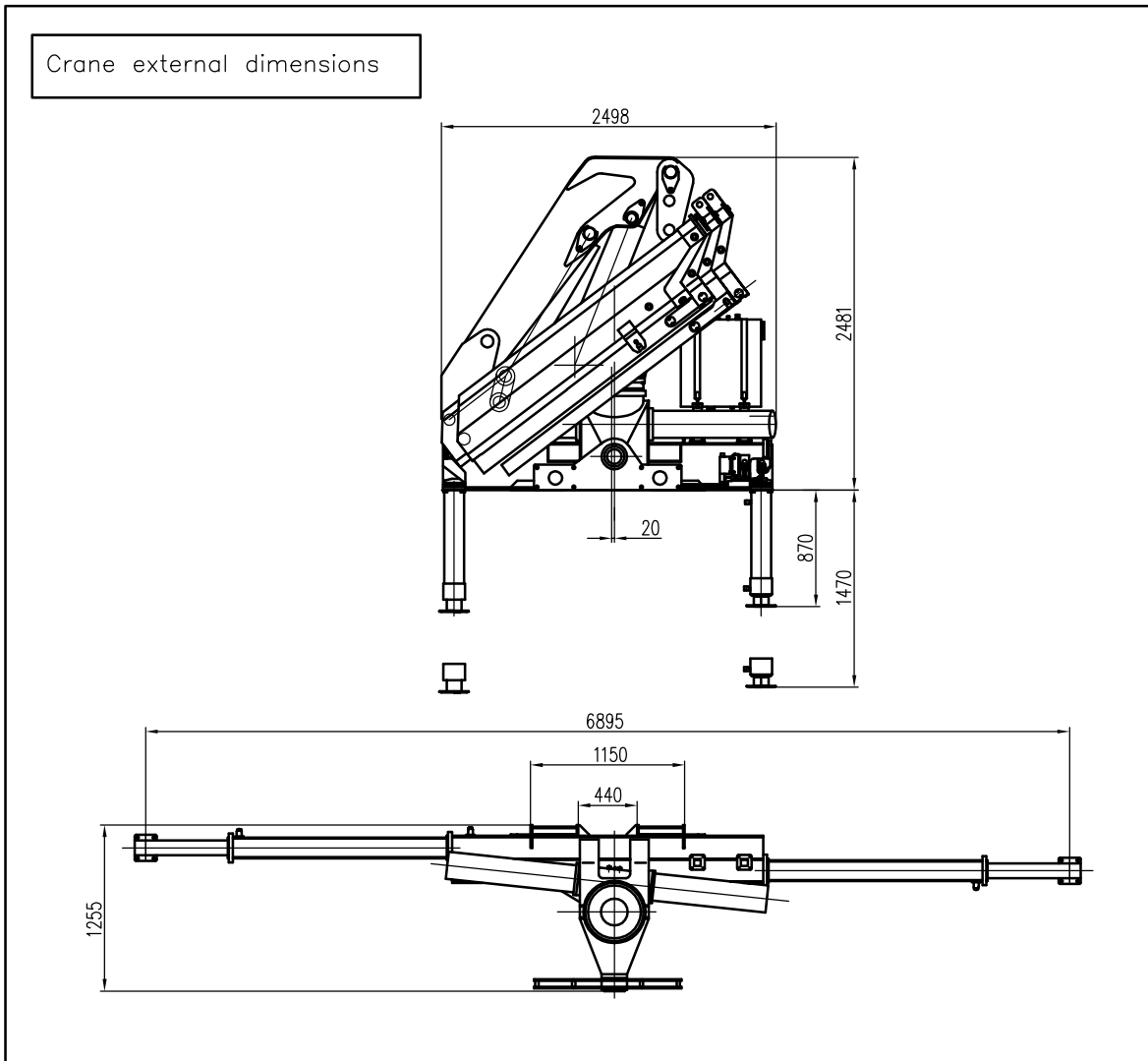
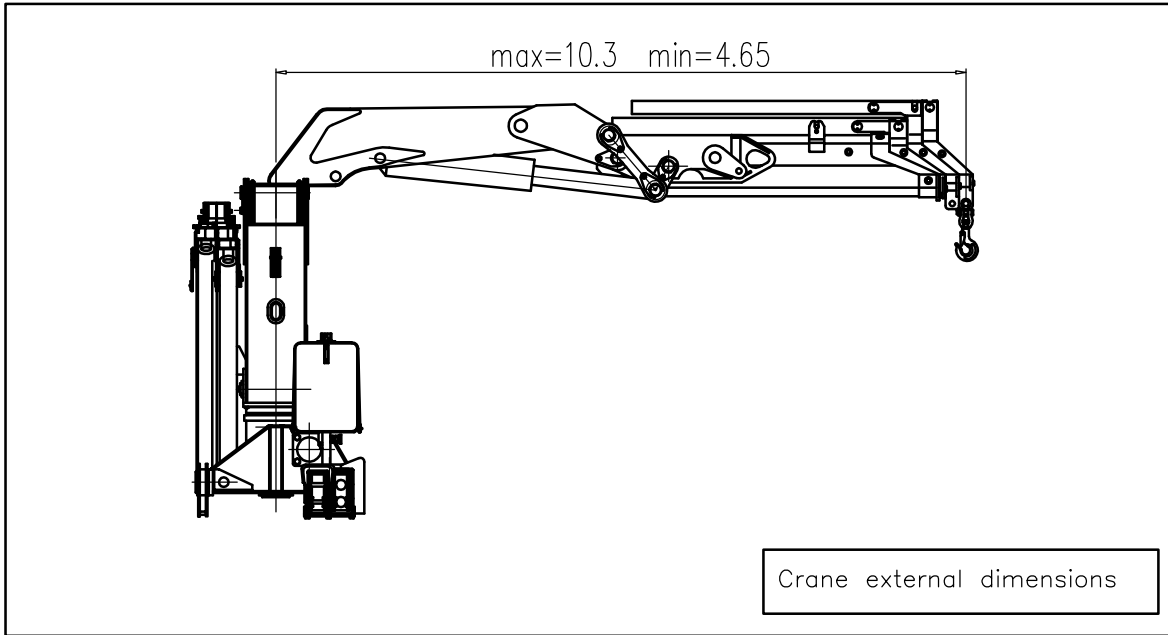


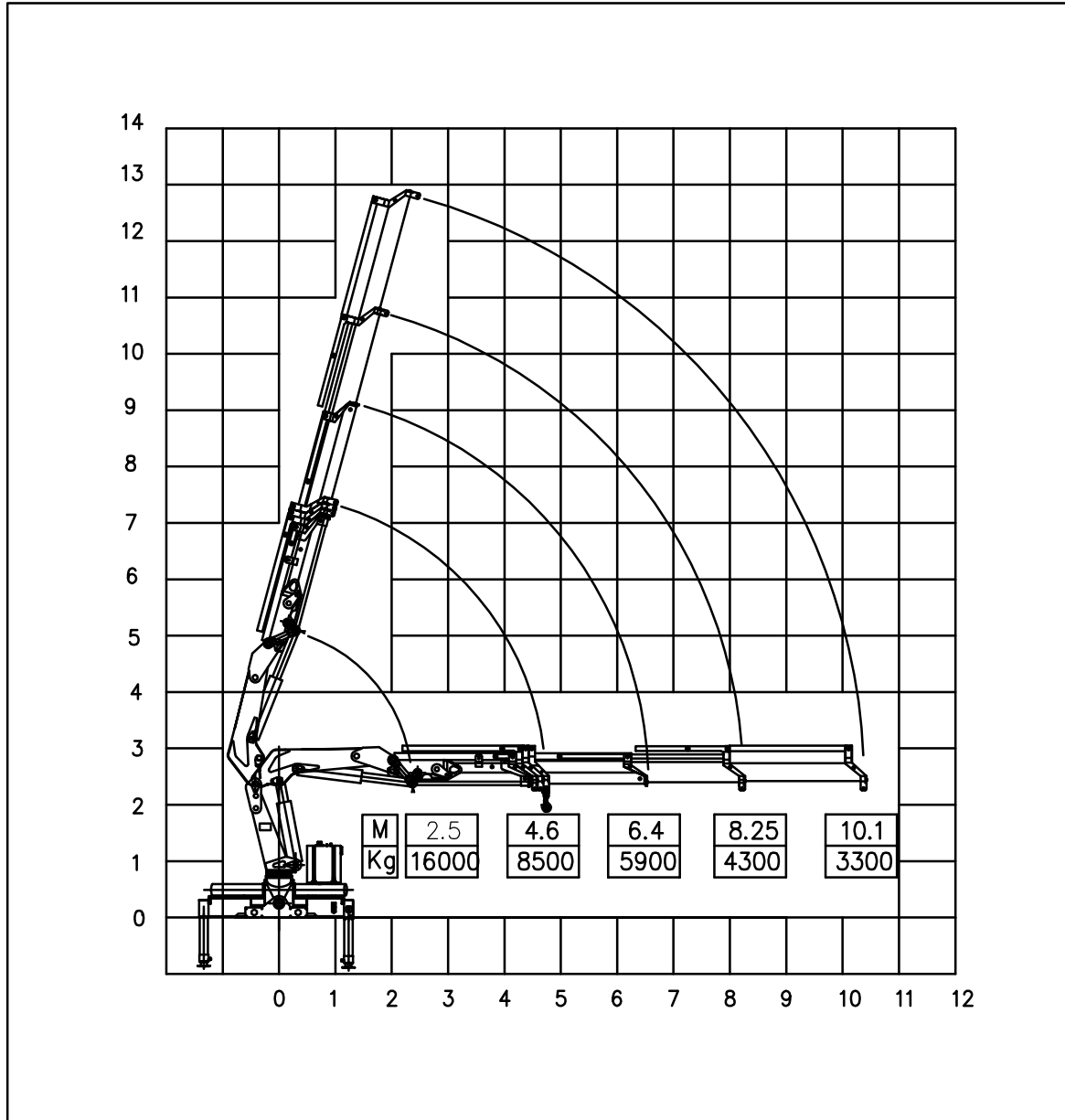
起重机起重性能参数

LOADING CURVE

Crane main technical parameters

Maximun Lifting weight	14000Kg	Oil tank capacity	200L
Max lifting movement	35 t.m	Slewing angle	Slewing angle 360°
Maximum hydraulic reach length	~12.2m	Outrigger span	6900m
Maximum working pressure	30 MPa	Hydraic Crane weight	4600Kg
Recommended Traffic	63 L/min	Installation space	1300mm

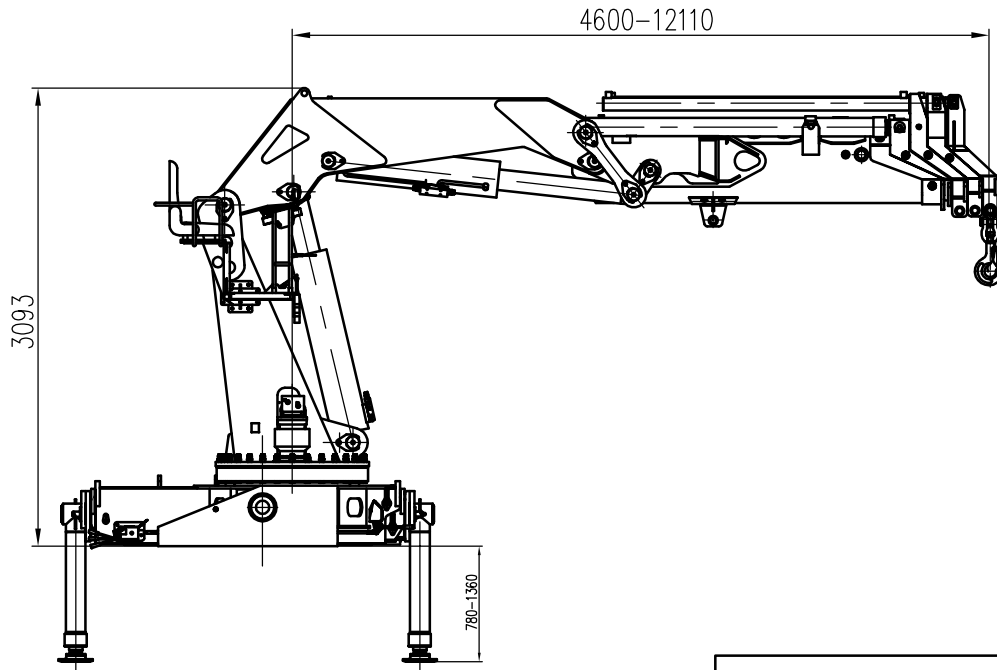




LOADING CURVE

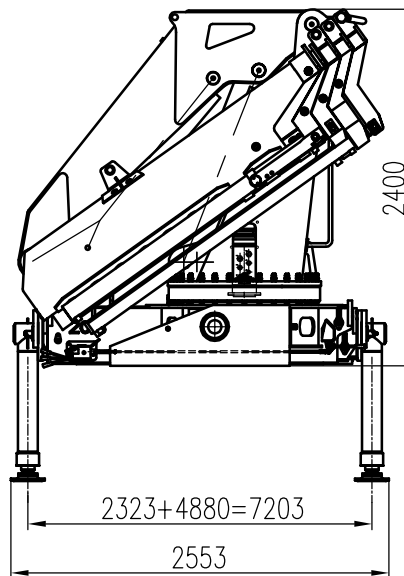
Crane main technical parameters

Maximun Lifting weight	16000Kg	Oil tank capacity	250L
Max lifting movement	40 t.m	Slewing angle	360°
Recommended power	40KW	Hydrauc Crane weight	5780Kg
Recommended hydraulic flow	63 L/min	Installation space	1500mm
Rated hydraulic pressure	30MPa		



Crane external dimensions

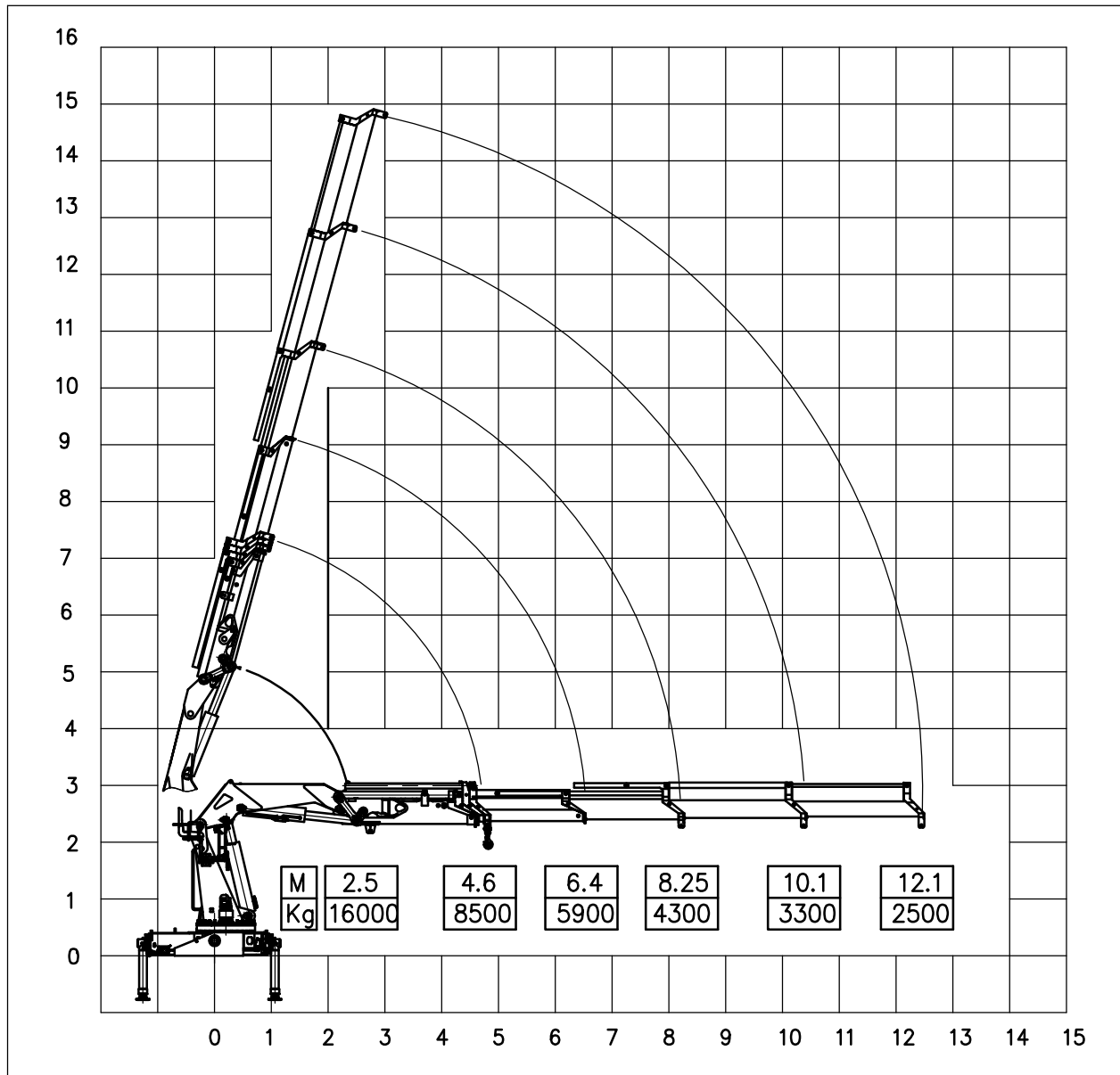
Crane external dimensions



SQZ400A. 2

SQZ400A. 3

SQZ400A. 4



LOADING CURVE

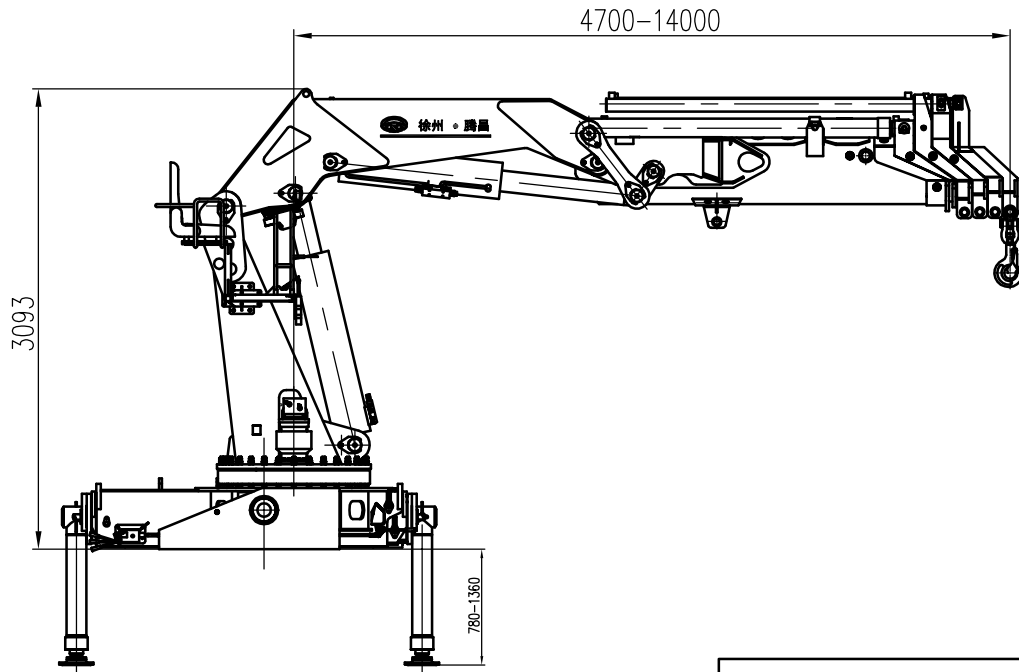
Crane main technical parameters

Maximun Lifting weight	16000Kg	Oil tank capacity	250L
Max lifting movement	40 t.m	Slewing angle	360°
Recommended power	40KW	Hydraulic Crane weight	5950Kg
Recommended hydraulic flow	63 L/min	Installation space	1700mm
Rated hydraulic pressure	30MPa		

SQZ400A. 2

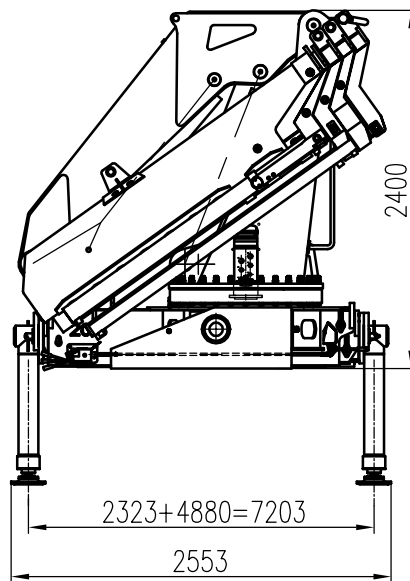
SQZ400A. 3

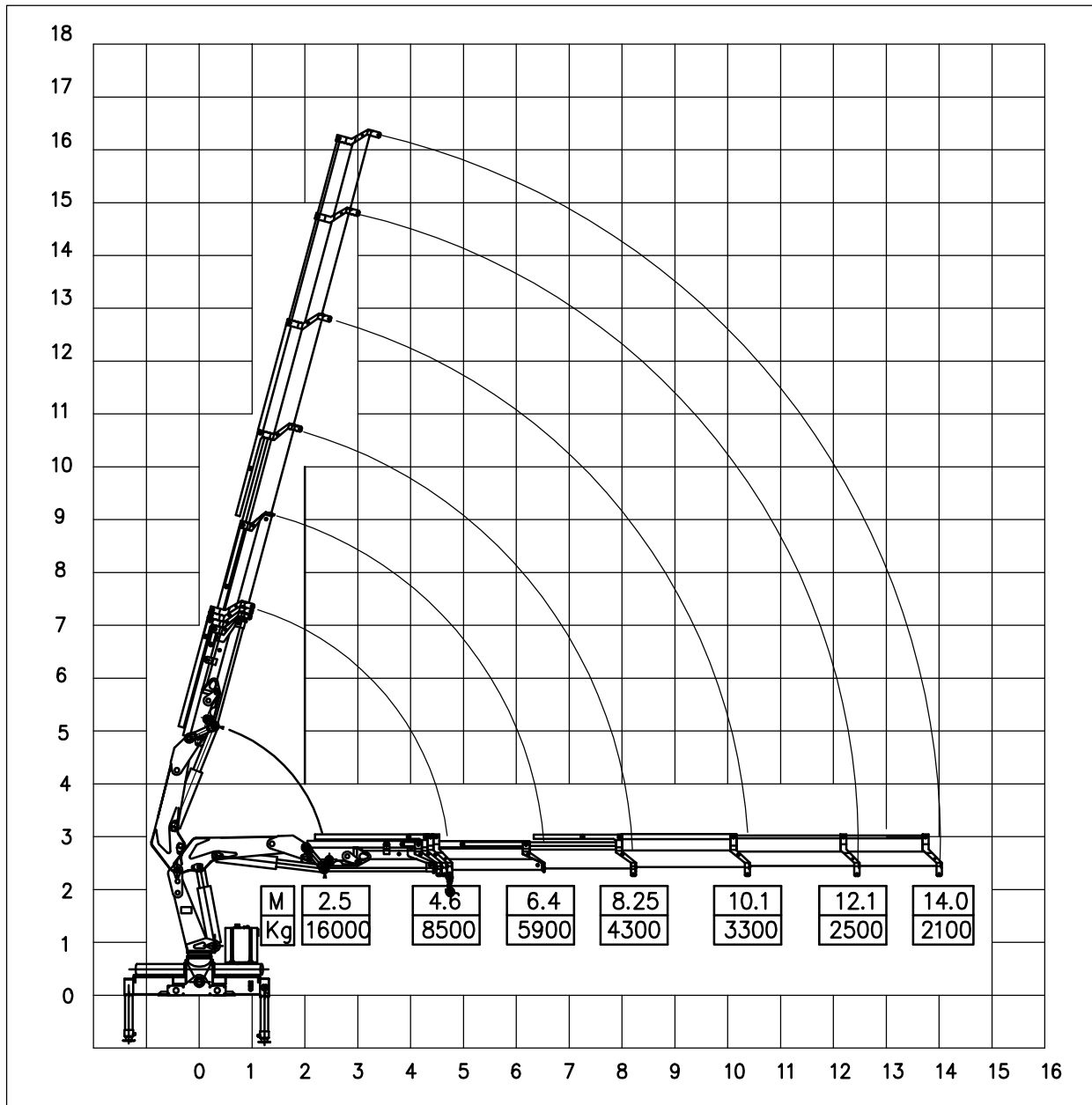
SQZ400A. 4



Crane external dimensions

Crane external dimensions

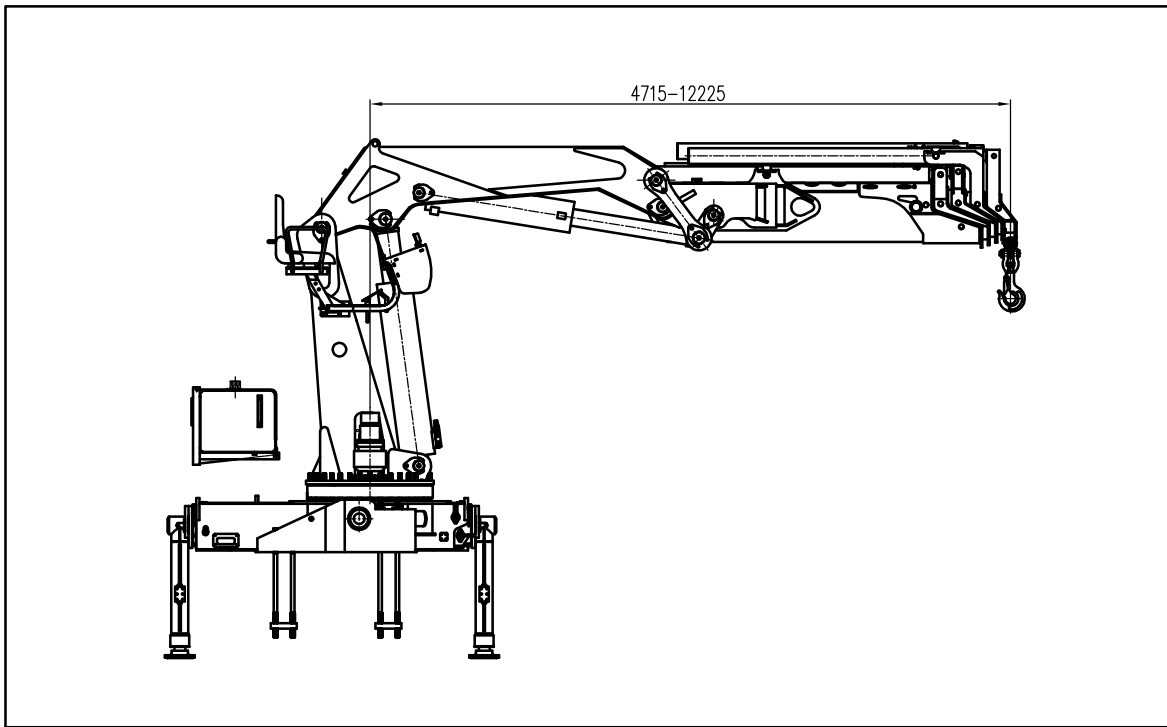




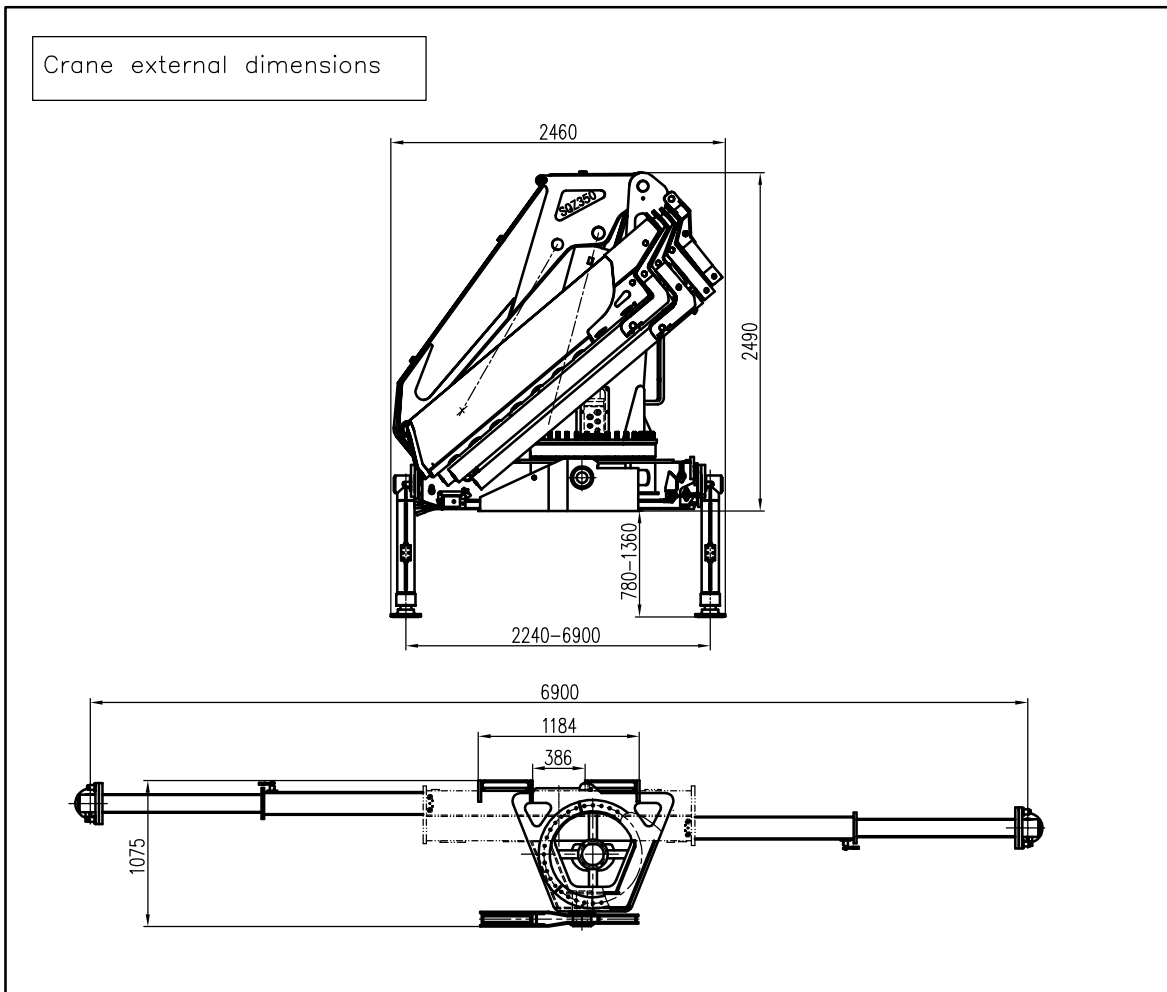
LOADING CURVE

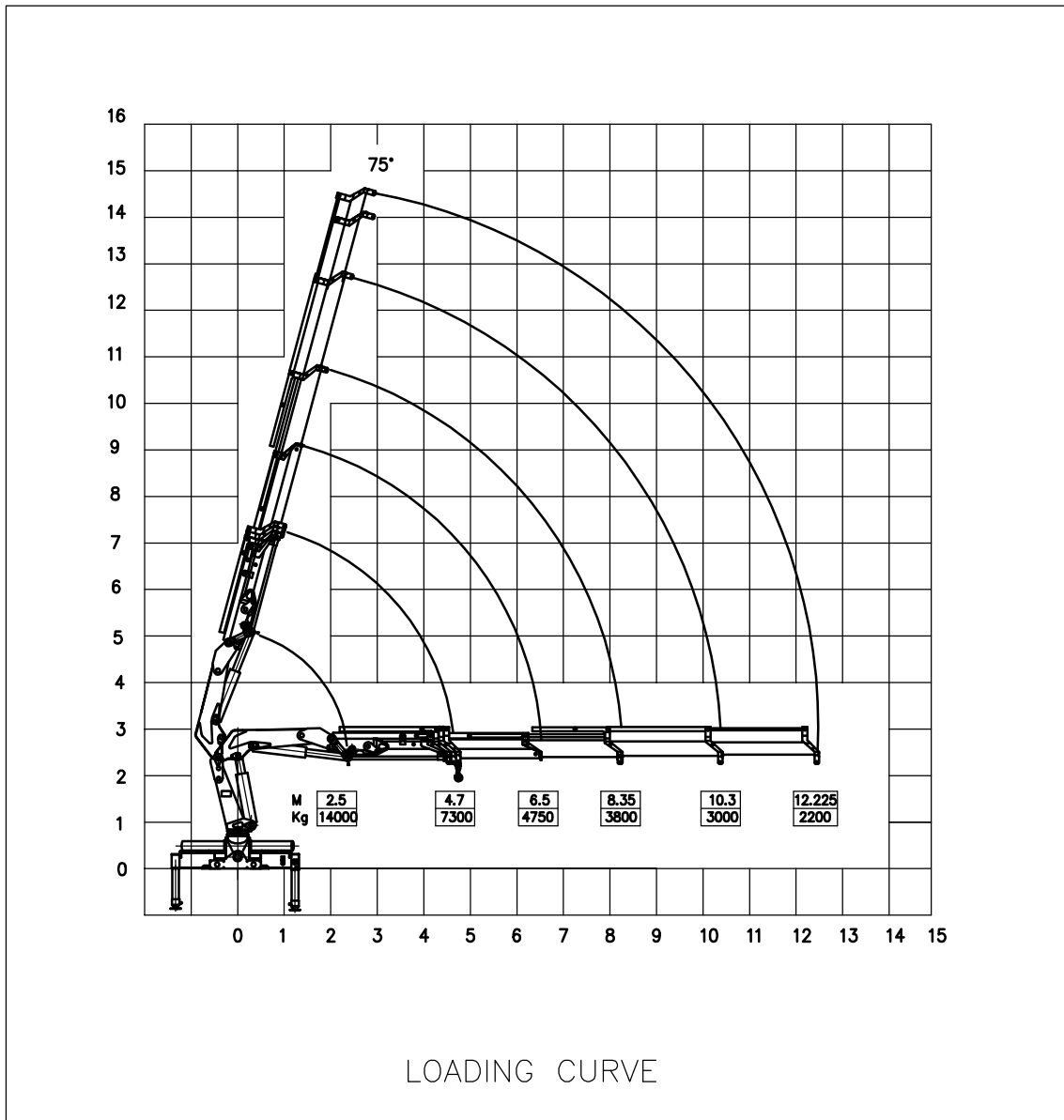
Crane main technical parameters

Maximun Lifting weight	16000Kg	Oil tank capacity	250L
Max lifting movement	40 t.m	Slewing angle	360°
Recommended power	40KW	Hydraulic Crane weight	6150Kg
Recommended hydraulic flow	63 L/min	Installation space	1700mm
Rated hydraulic pressure	30MPa		



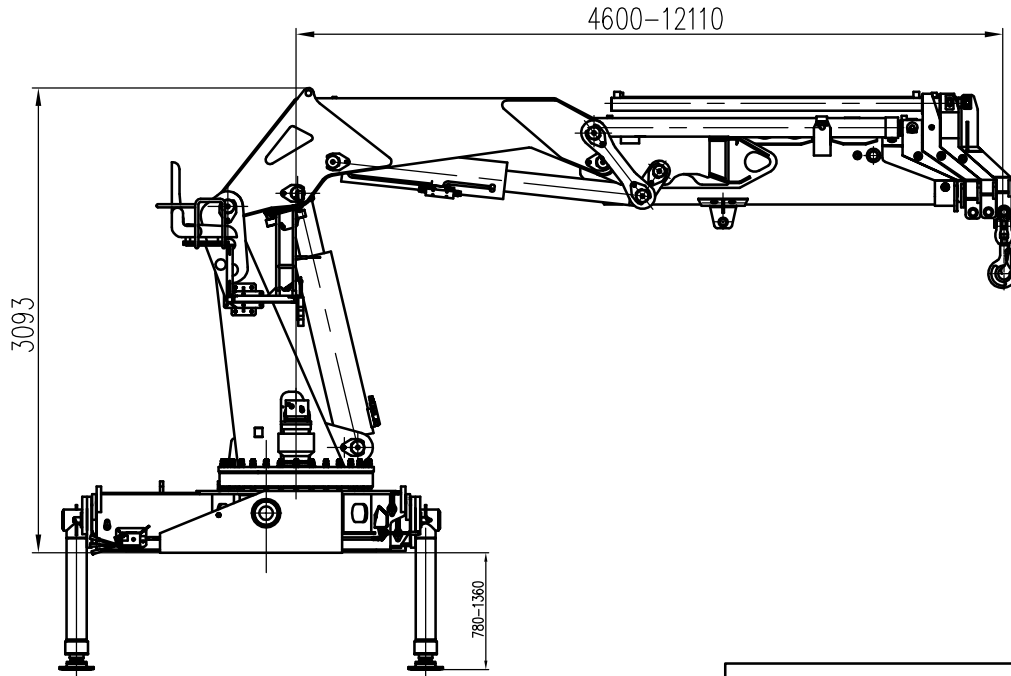
Crane external dimensions





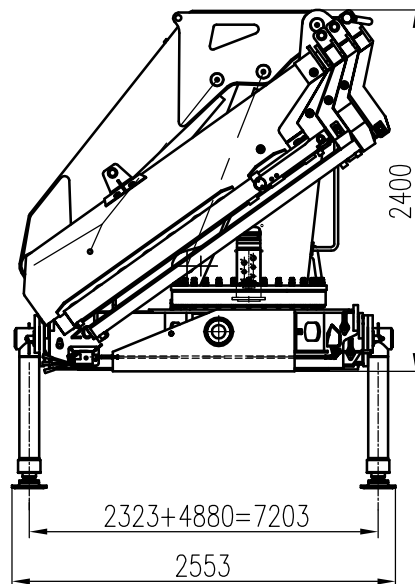
Crane main technical parameters

Maximun Lifting weight	14000Kg	Oil tank capacity	200L
Max lifting movement	35 t.m	Slewing angle	360°
Maximum hydraulic reach length	~12.2m	Outrigger span	6900m
Maximum working pressure	30 MPa	Hydraulic Crane weight	4600Kg
Recommended Traffic	63 L/min	Installation space	1300mm



Crane external dimensions

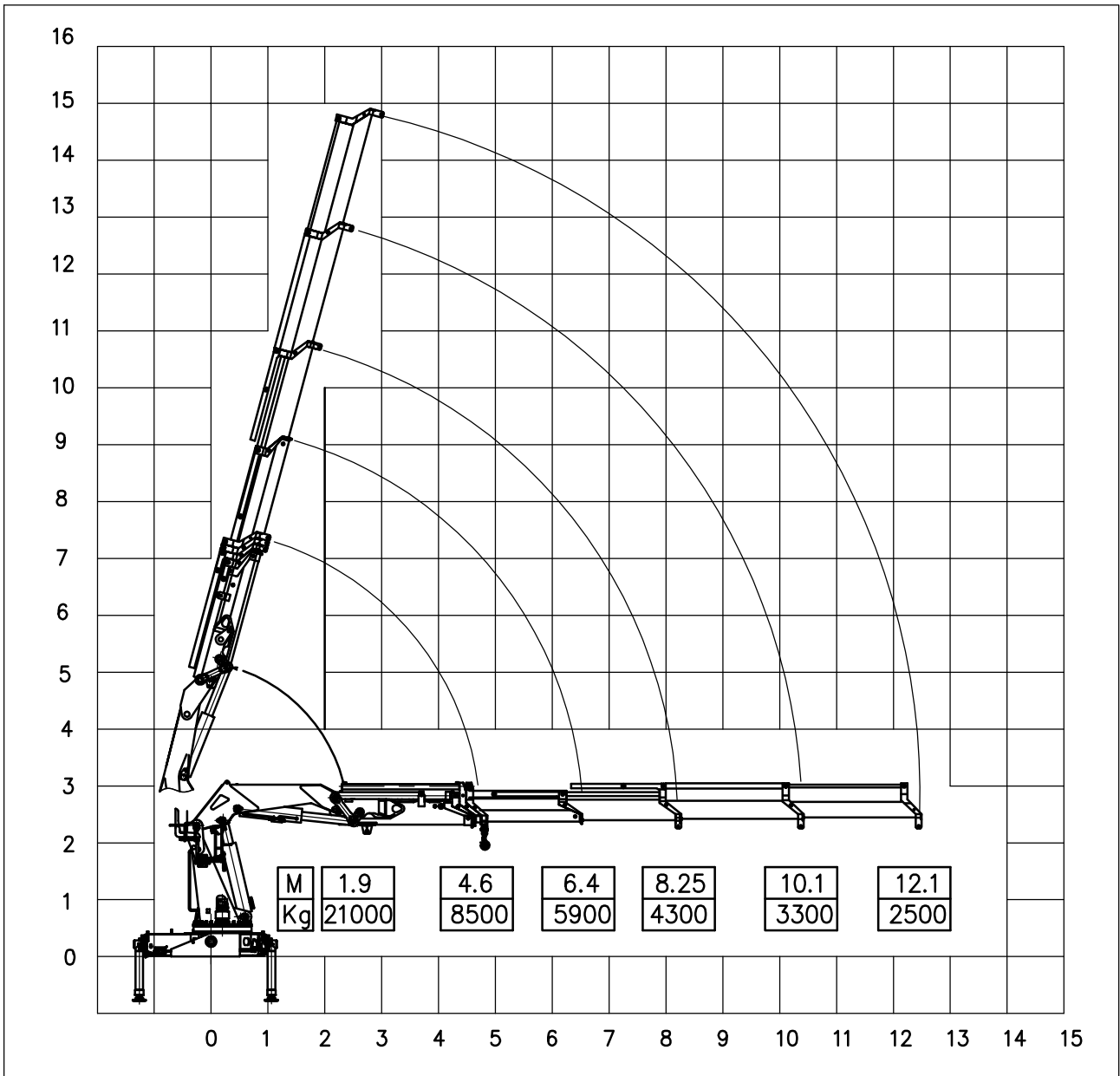
Crane external dimensions



SQZ400A. 2

SQZ400A. 3

SQZ400A. 4



LOADING CURVE

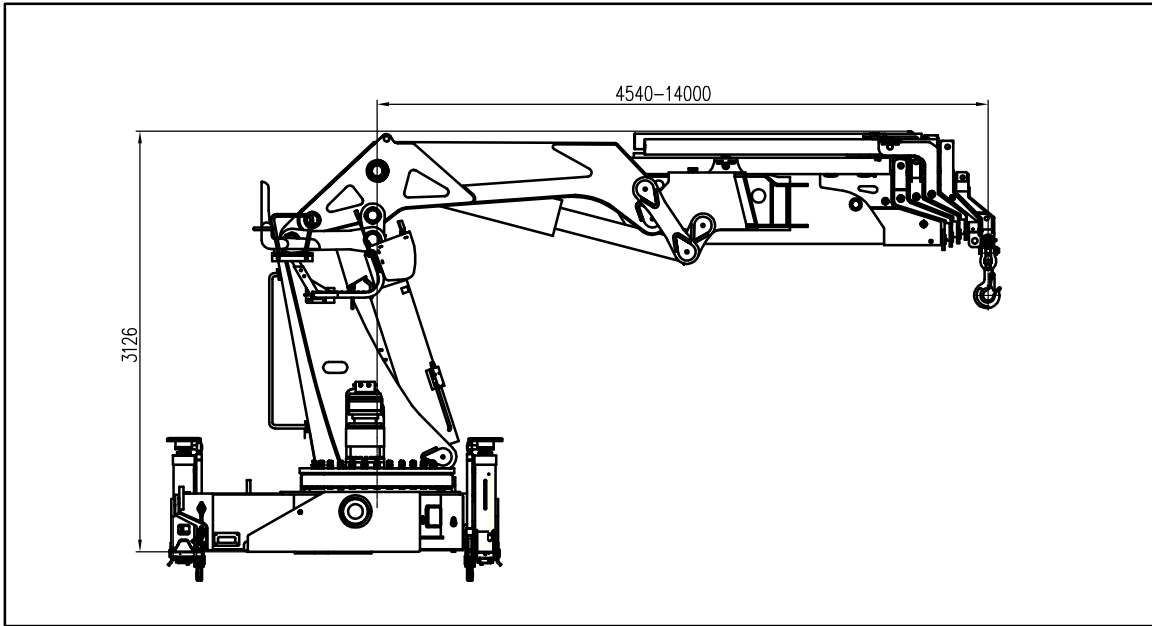
Crane main technical parameters

Maximun Lifting weight	16000Kg	Oil tank capacity	250L
Max lifting movement	40 t.m	Slewing angle	Slewing angle 360°
Recommended power	40KW	Hydraulic Crane weight	5950Kg
Recommended hydraulic flow	63 L/min	Installation space	1700mm
Rated hydraulic pressure	32MPa		

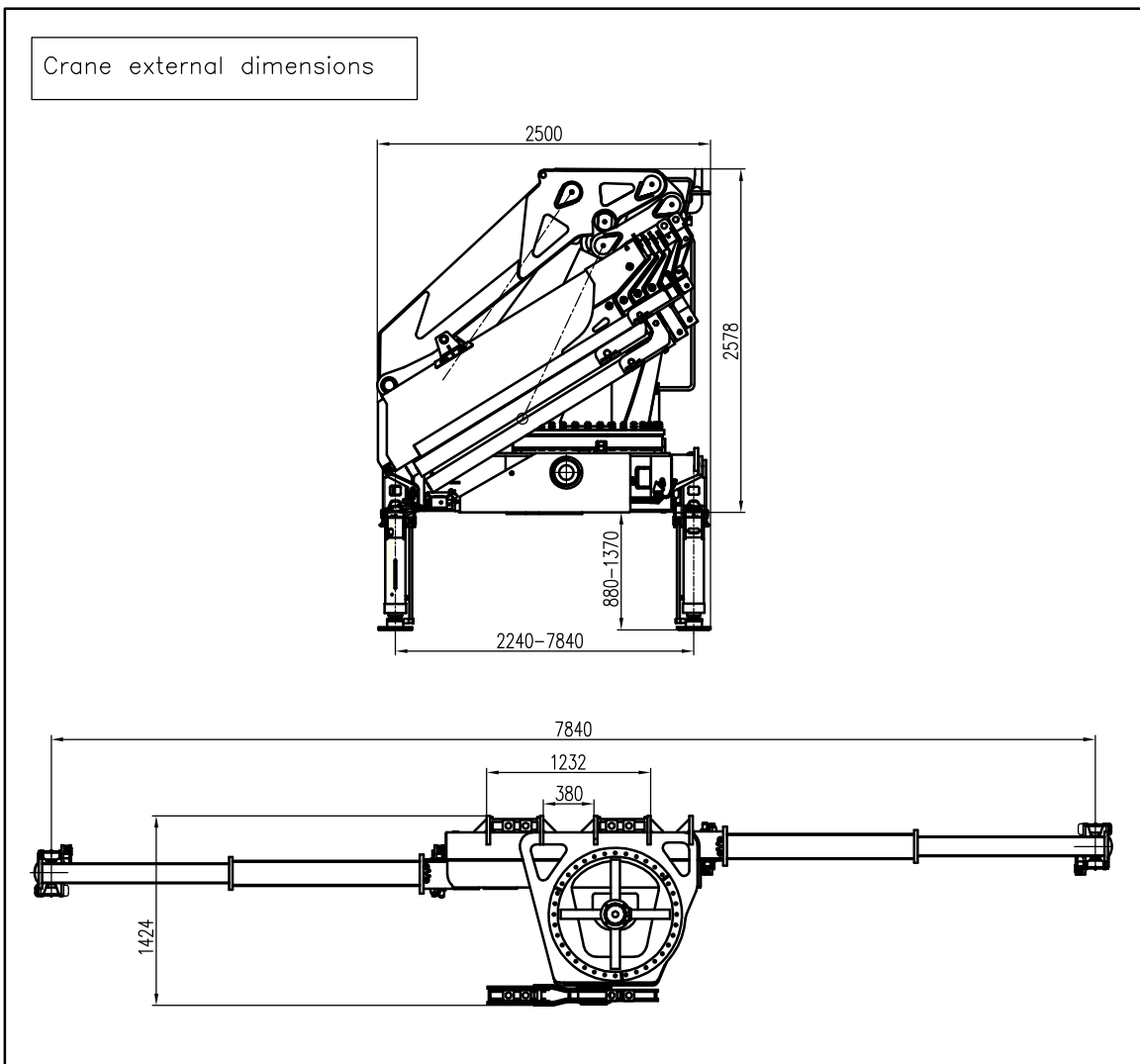
SQZ400A. 2

SQZ400A. 3

SQZ400A. 4



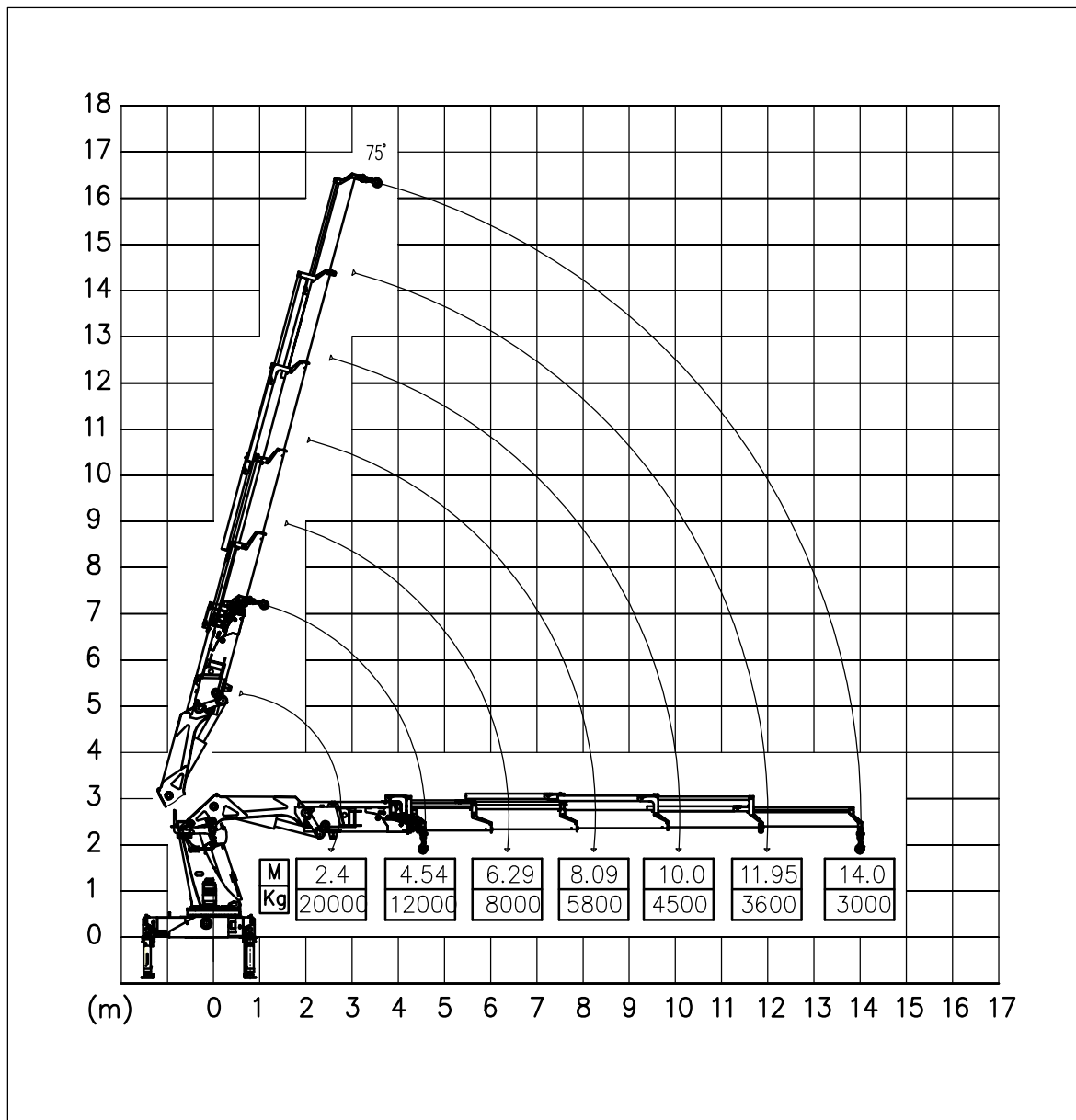
Crane external dimensions



SQZ500A. 3

SQZ500A. 4

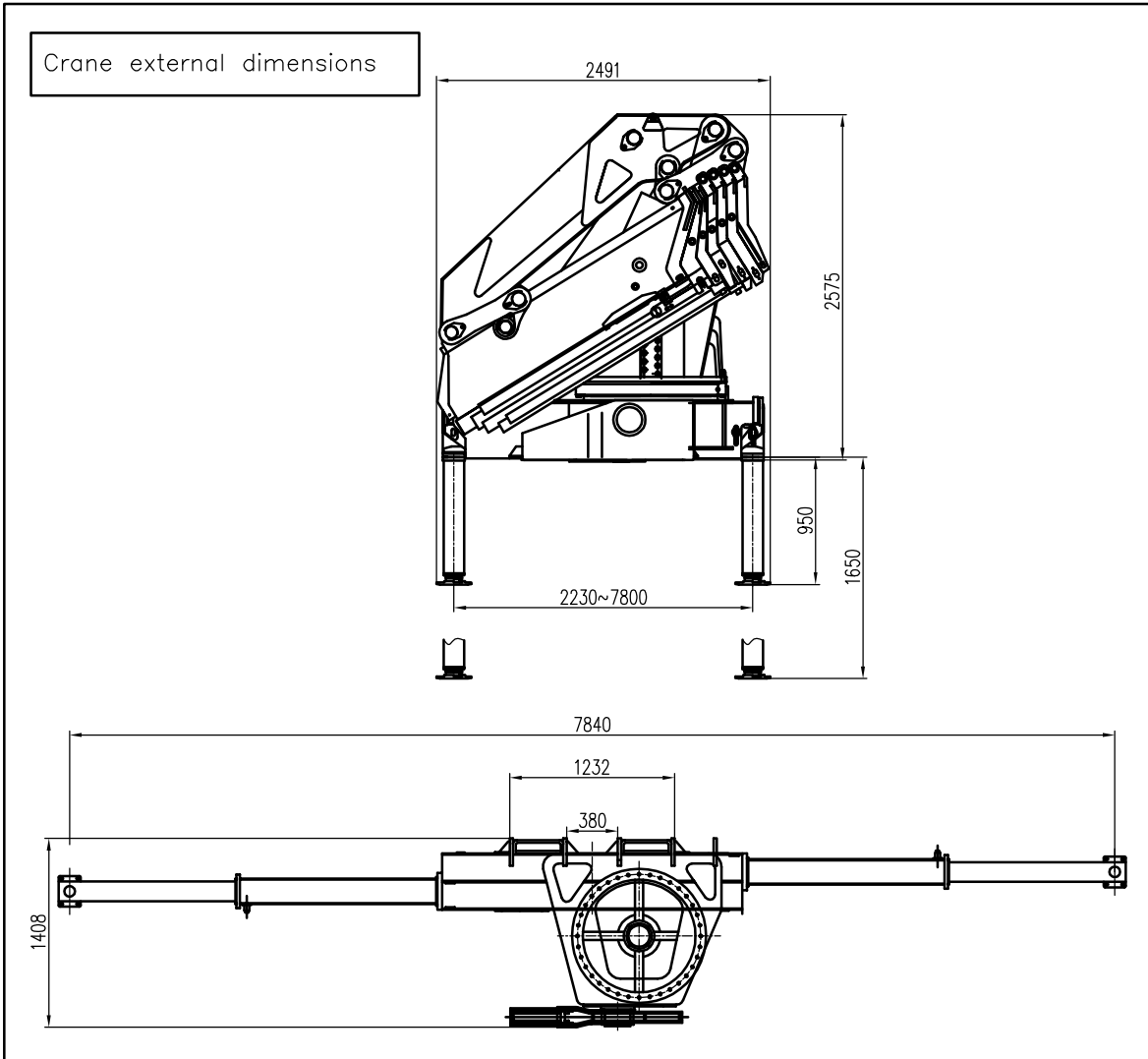
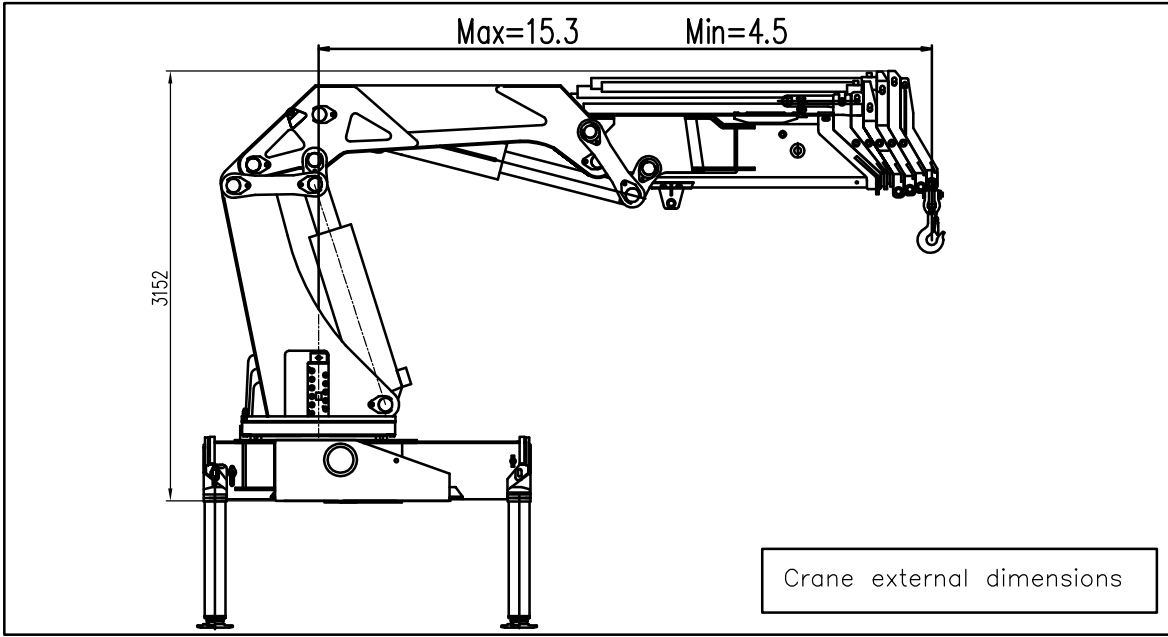
SQZ500A. 5

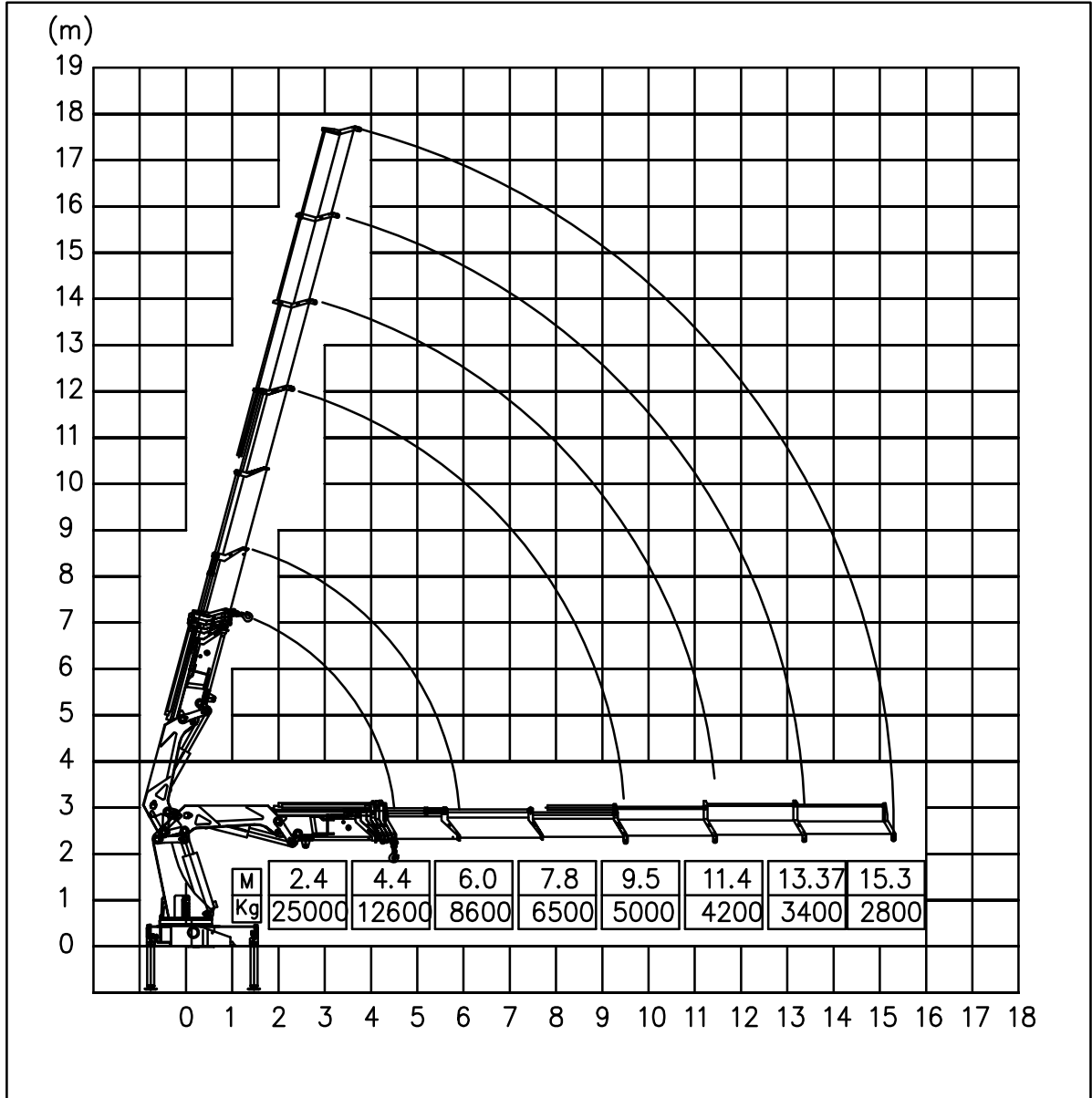


LOADING CURVE

### Crane main technical parameters

Maximum Lifting weight	20000Kg	Slewing angle	360°
Max lifting movement	50 t.m	Outrigger span	7840mm
Maximum hydraulic reach length	14000mm	Installation space	1610mm
Maximum working pressure	32MPa	Transport width	2500mm
Recommended Traffic	80-100 L/min	Hydraulic Crane weight	6800Kg

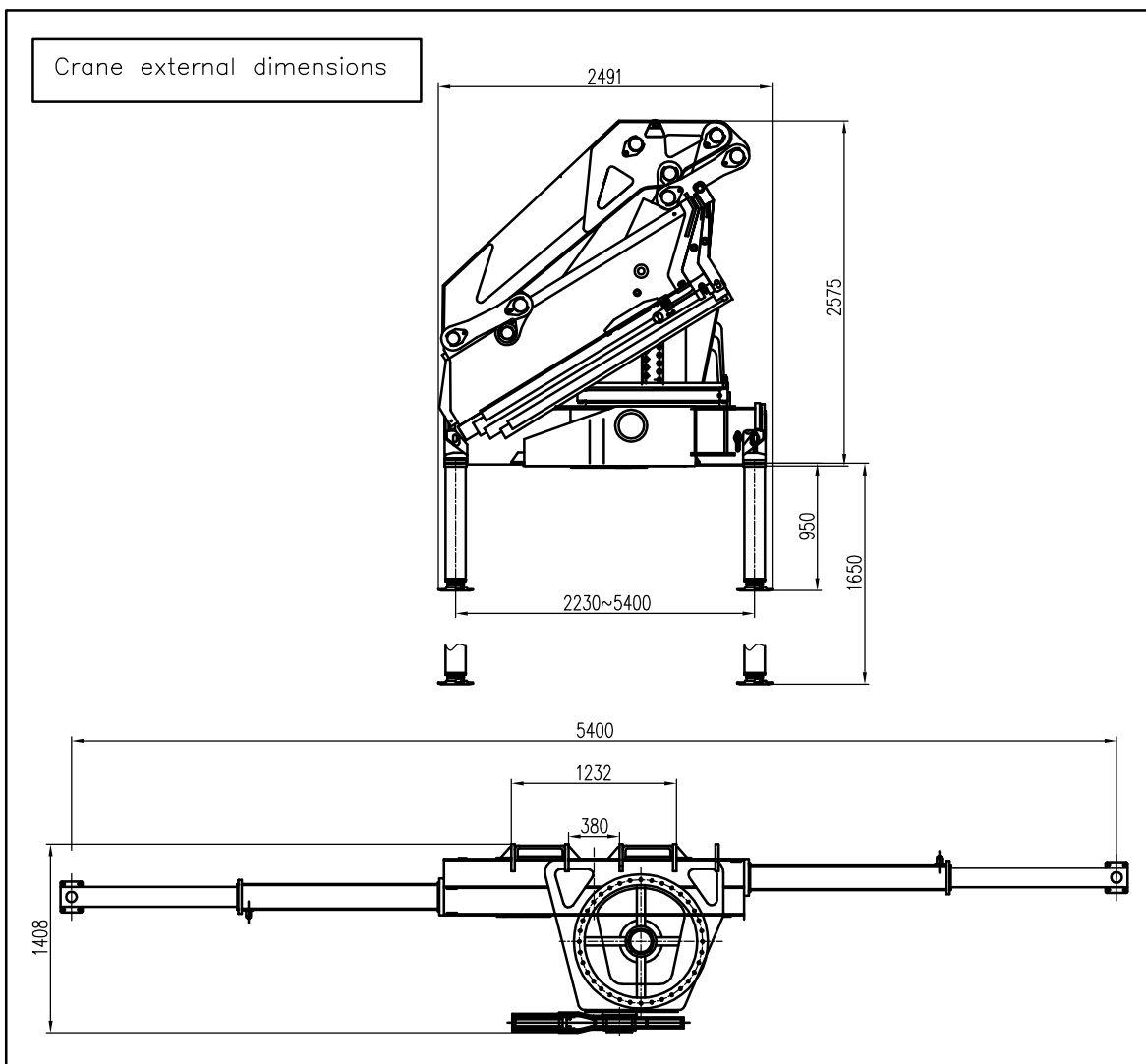
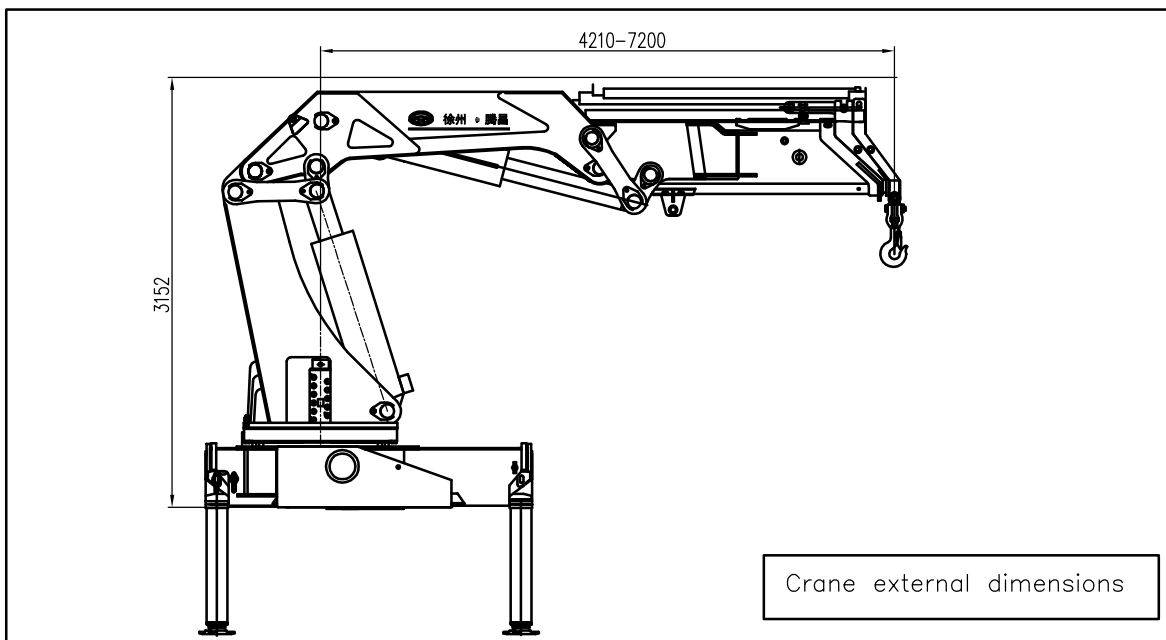


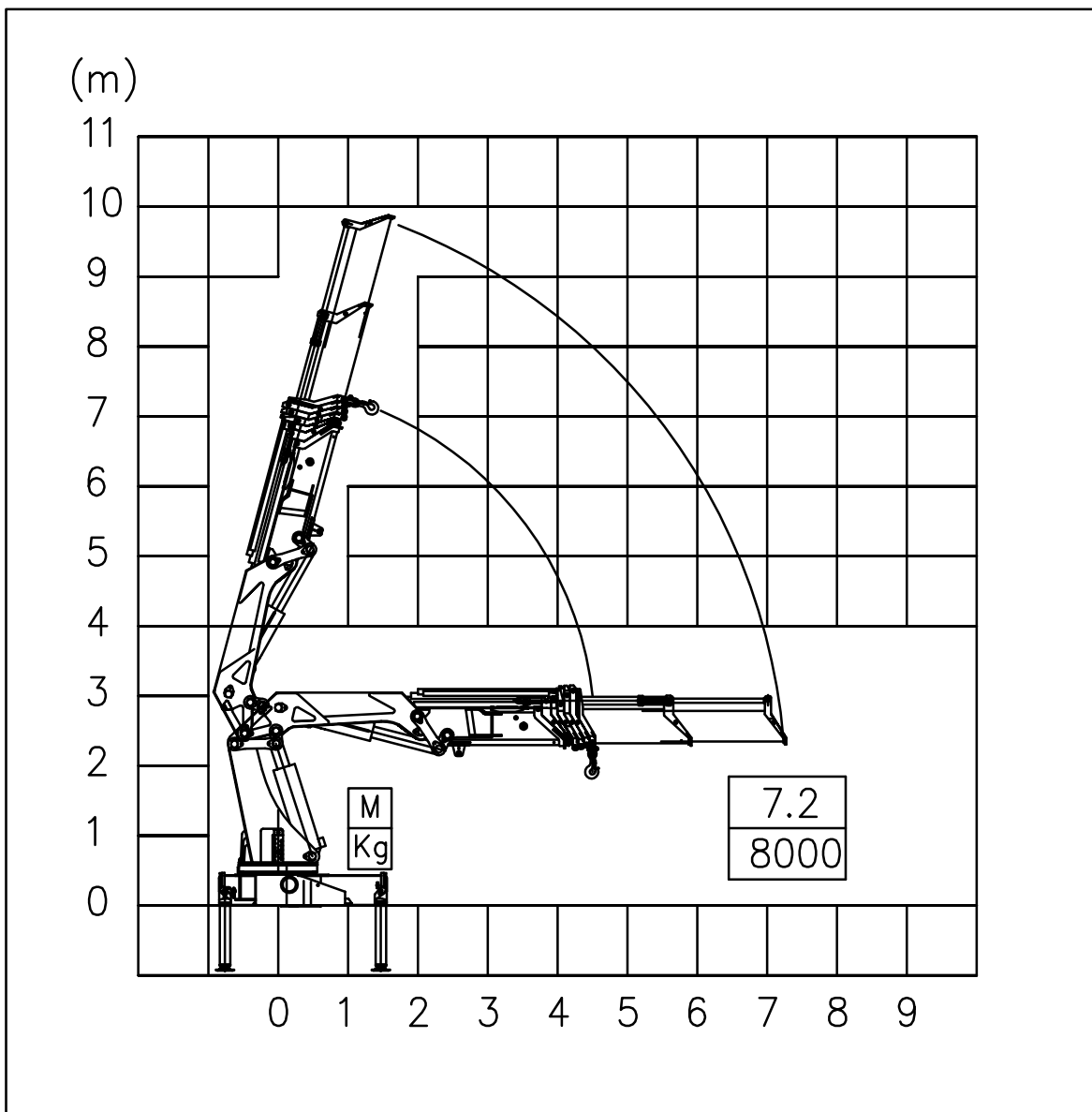


LOADING CURVE

Crane main technical parameters

Maximun Lifting weight	25000Kg	Slewing rated pressure	18 MPa
Max lifting movement	60 t.m	Oil tank capacity	280 L
Recommended power	45 KW	Slewing angle	360°
Recommended hydraulic flow	80 L/min	Hydraulic Crane weight	7800Kg
Maximun hydraulic pressure	32 MPa	Installation space	1610mm

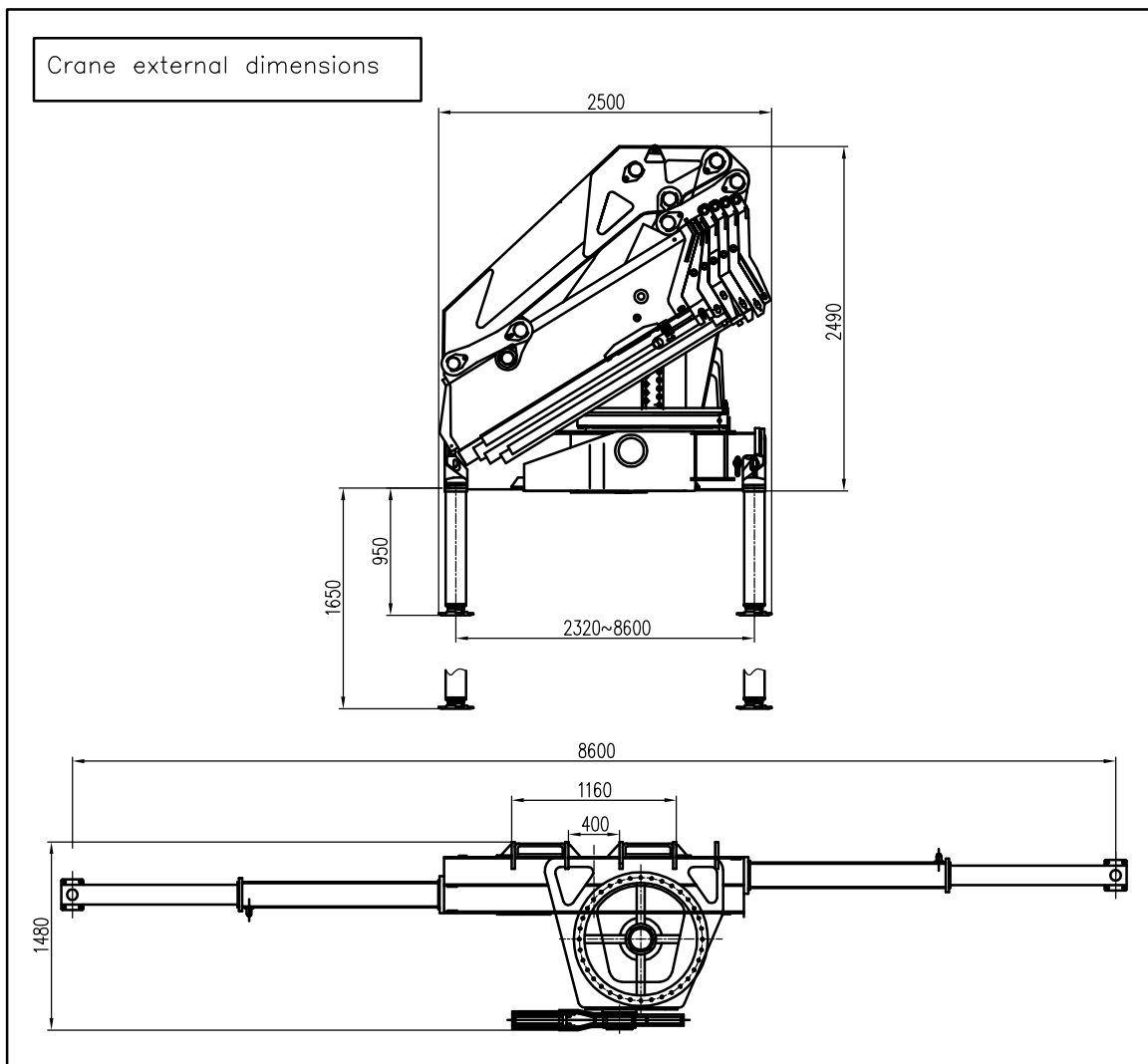
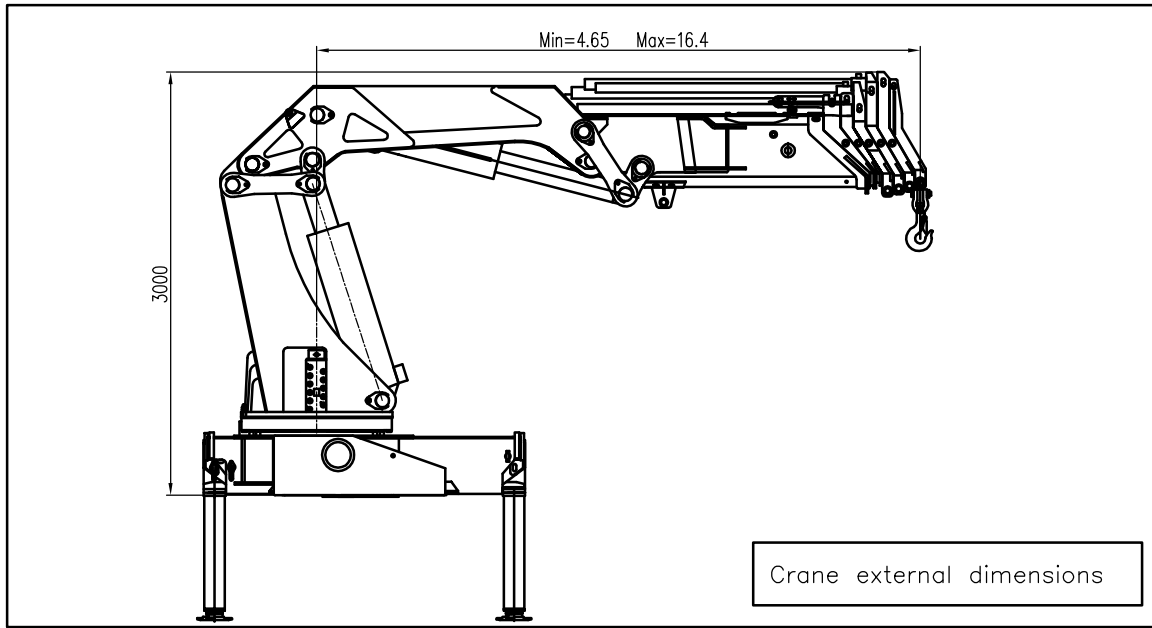




LOADING CURVE

Crane main technical parameters

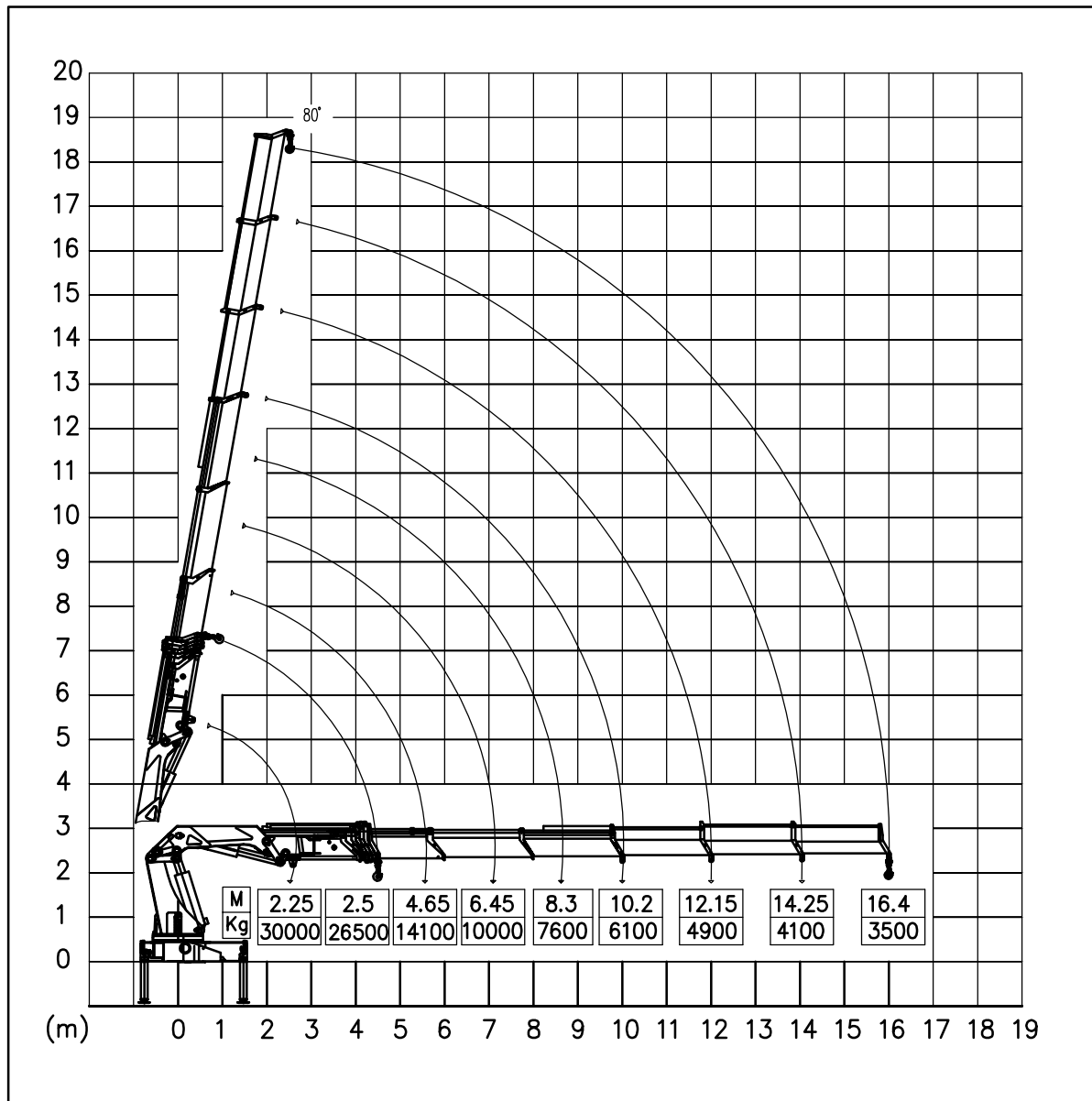
Maximun Lifting weight	8000Kg	Slewing rated pressure	18 MPa
Max lifting movement	60 t.m	Oil tank capacity	280 L
Recommended power	45 KW	Slewing angle	360°
Recommended hydraulic flow	80 L/min	Hydraulic Crane weight	~6000Kg
Maximun hydraulic pressure	32 MPa	Installation space	1610mm



SQZ700A. 7

SQZ700A. 7

SQZ700A. 7



LOADING CURVE

Crane main technical parameters

Maximun Lifting weight	30000Kg	Slewing rated pressure	20 MPa
Max lifting movement	67.5 t.m	Oil tank capacity	280 L
Recommended power	63 KW	Slewing angle	Slewing angle 360°
Recommended hydraulic flow	90 L/min	Hydraulic Crane weight	8250Kg
Maximun hydraulic pressure	33 MPa	Installation space	1680mm