

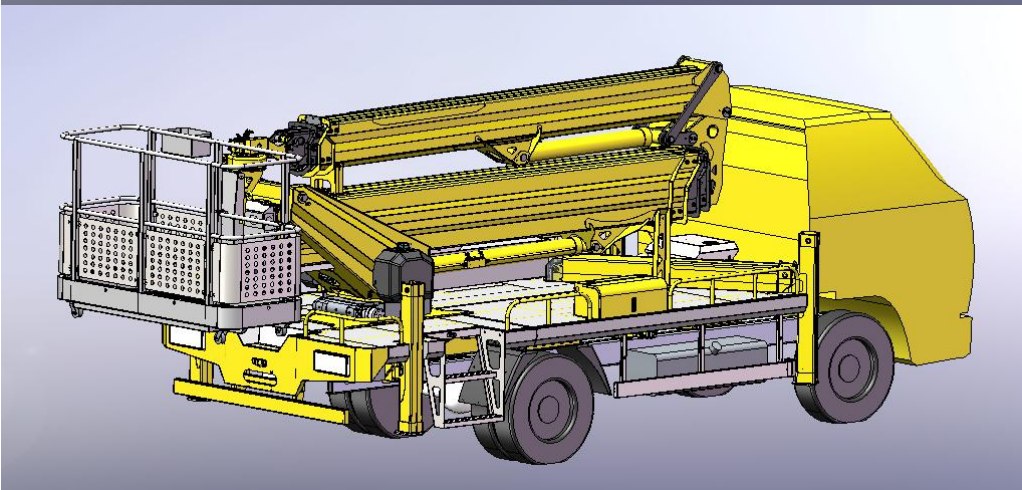
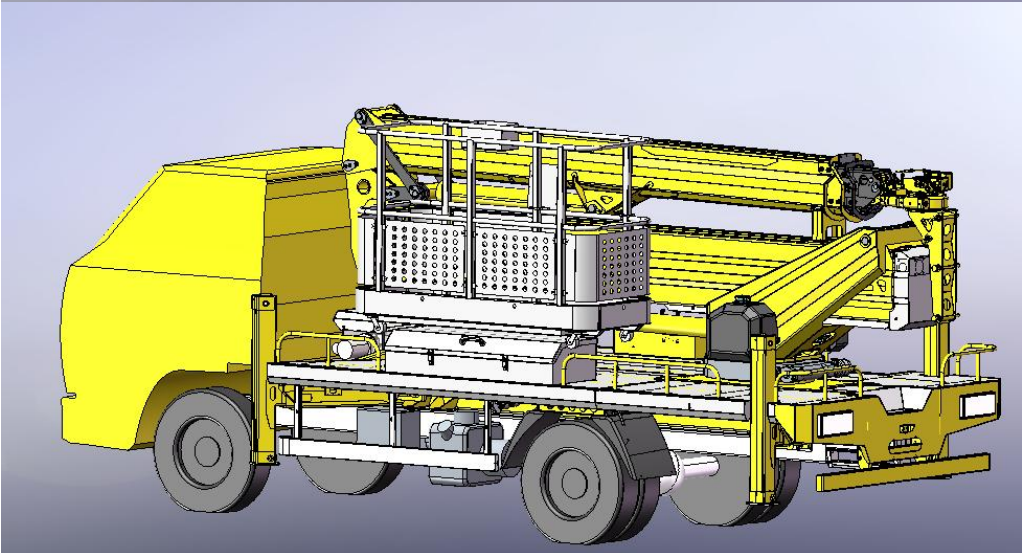
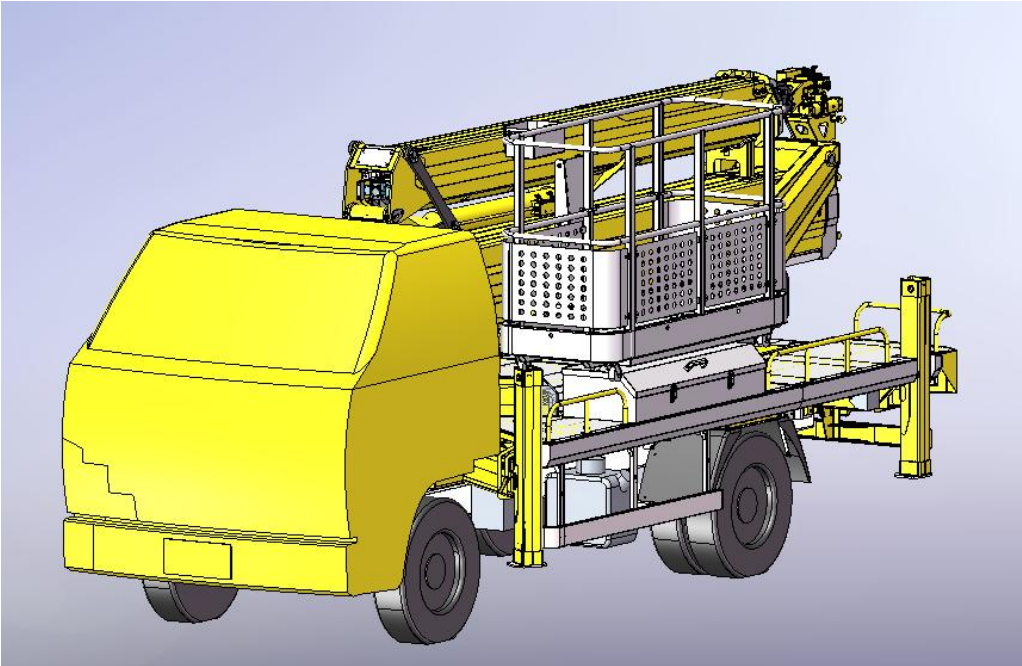


***HGH23-J***  
**Aerial work  
vehicle**

**Product Introduction**

**Xuzhou Hengxing Jinqiao Machinery  
Technology Co., Ltd.**

# Vehicle appearance



## Main technical parameters

HGH23-J Main technical parameters of aerial work vehicle			
category	project	unit	data
<b>Size Parameters</b>	Total length	mm	5995 (6780Installing the work platform)
	Overall width	mm	2080
	Total height	mm	2350
<b>Quality Parameters</b>	Total mass	kg	4495
	Number of passengers (including driver)	人	2
<b>Main performance parameters</b>	Platform rated load	kg	200
	Maximum operating height	m	23.5
	Minimum platform height	m	-4.5
	Maximum operating range	m	All around: 12 (120kg) ; 10 (200kg)
	Horizontal span of outriggers	mm	Forward 3700/rearward4050
	Longitudinal span of outriggers	mm	4200
<b>Driving Parameters</b>	Front overhang/rear overhang	mm	1075/1815
	Reach forward/rearward	mm	0/305
	Approach angle/departure angle	°	19/13
	Maximum speed	km/h	100
	Maximum climbing grade	%	30

# Configuration Instructions

## Main components configuration

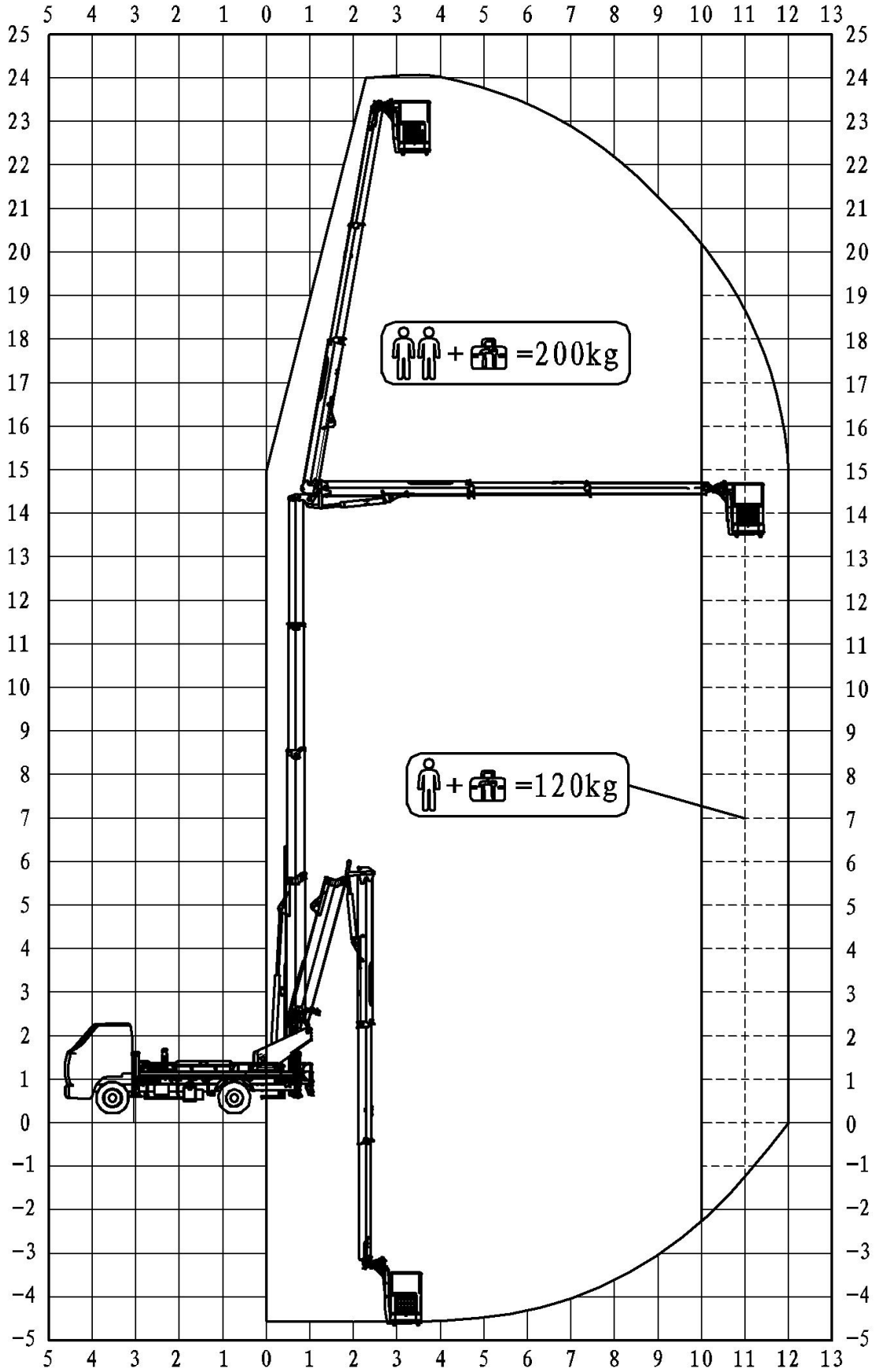
HGH23-J Main components and configuration of aerial work vehicle	
Part Name	Brief Description
Chassis	Adopt Jiangling JX1041TCD26 single-row chassis
Engine	Adopt Jiangling JX493ZLQ6A, engine rated power 90kw
Cab	Jiangling National VI new half-row cab, can accommodate 2 people (including the driver)
Workplatform configuration	Working platform dimensions: 1800x700x1100mm.
Boom type	4-section polygonal synchronous telescopic lower arm + 3-section polygonal synchronous telescopic upper arm
Turntable rotation device	360° continuous rotation
Platform slewing device	360° continuous rotation in low altitude mode; ±90° non-continuous rotation in high altitude mode
Frame	High-strength box-type multi-edge frame
Outrigger	Front V + rear H outriggers, high-strength steel box-type pentagonal outriggers. Built-in outrigger cylinders
Operation	The lower part is equipped with a five-handle hydraulic valve group, the outriggers are horizontal, and the vertical ones are fully hydraulically driven. The upper part is equipped with a load-sensitive proportional valve. The upper part is equipped with a bus-type wireless remote control. Lower arm amplitude change, lower arm telescopic, upper arm amplitude change, upper arm telescopic, turntable rotation, platform rotation, engine start and stop.
Control System	Equipped with intelligent controller and LCD display, it can realize amplitude control, automatic throttle, amplitude, height display and other operating information.

## Basic functions and safety configuration

The basic functional safety configuration of the HGH23-J aerial work vehicle: the work vehicle can achieve a platform load of 200kg, a maximum operating height of 23.5 meters, a maximum operating range of 10 meters with a load of 200kg, and a maximum operating range of 12 meters with a load of 120kg. The vehicle is equipped with a fully proportional valve group, wireless remote control, automatic deceleration at extreme positions, automatic throttle, interlocking of upper and lower vehicles, and outrigger classification.

Name	Brief Description
Full proportional valve group, remote control	All actions on the vehicle can be remotely controlled by a wireless remote controller, and the boom amplitude adjustment, boom extension and turntable rotation actions can be compounded.
Boom range limit	Automatically limit the operating range according to the platform load
Aluminum alloy platform	High-strength aluminum alloy platform, platform size 1800x700x1100mm
Platform rotation	The platform is equipped with a hydraulic slewing device, which can achieve 360-degree continuous slewing
Automatic speed control	Automatic deceleration in the boom extreme position, automatic throttle in the boom compound movement, automatic throttle in the outrigger movement.
Interlocking	Equipped with outrigger ground detection and boom recovery detection, if the outrigger is not reliably supported, the boom cannot be operated, and if the boom is not fully recovered, the outrigger cannot be operated to prevent misoperation.
Horizontal outrigger classification	The operating range is automatically limited according to the extension of the horizontal outriggers to ensure safe operation.
Outrigger warning light	A flashing warning light is installed on the top of the outrigger to remind surrounding personnel to pay attention to construction safety during operation.

### Operation curve



### Key Parts List

Number	Name	Brand	Country
1	Proportional multi-way valve	Sant	China (Valve Spool Italy)
2	Balancing valve	Sant	China (Valve Spool Italy)
3	Hydraulic lock	Zenken	China
4	Remote Control	Cabal	China
5	In-arm hose	Eaton	USA
6	Cable inside the arm	Bravest	Italy
7	In-arm drag chain	Bravest	Italy
8	Other hoses	QINGXIANG	China
9	monitor	JIACHENG	China
10	Angle Sensor	Jeffrey	Italy